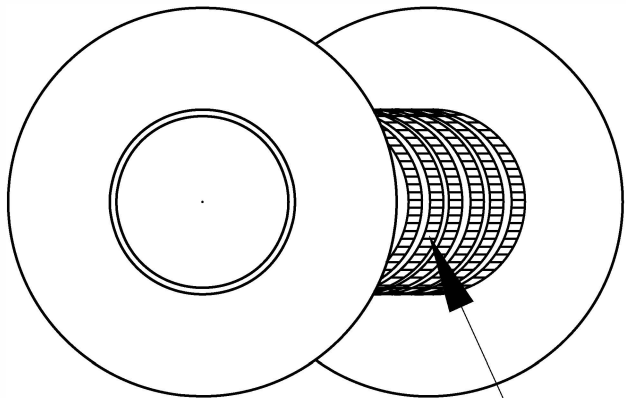


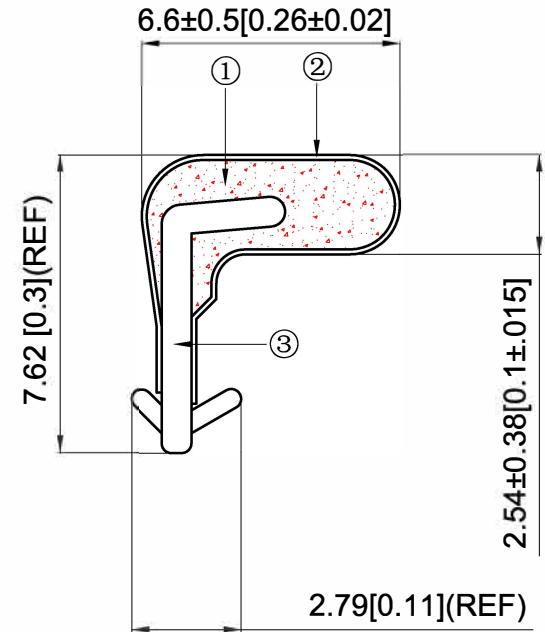
CUSTOMER NAME

CUSTOMER P/N

REVISIONS			
REV	DESCRIPTION	DATE	BY
00	Initial Release	11.Apr.19	



The tolerance of length shall be within 0~1% of order length.(max Qty per roll 1600FT(487.68M))



- 1) FABRIC-OVER FOAM GASKET
- 2) OTHER PARAMETERS ACCORDING TO CATALOGUE
- 3) RoHS COMPLIANT

Unit: mm[inch]			PRODUCT NAME	GASKET P
APPD.			PART NUMBER	
CHKD.			DRAWING NUMBER	
DWN.				