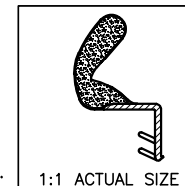
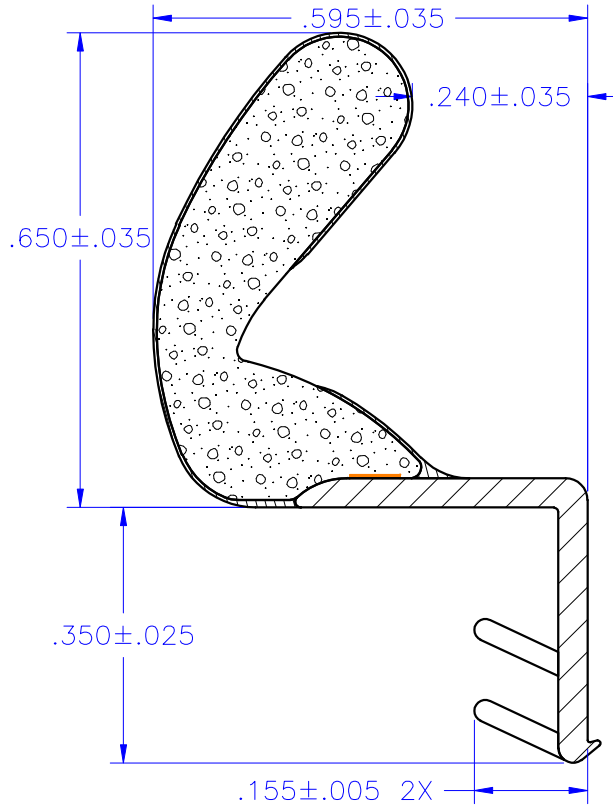





REV	DESCRIPTION	DATE	ECO#	BY
1	MOVED FOAM RIGHT .015"	8/9/18	500-109	JN



REFER TO CAD DRAWING FOR ALL DIMENSIONS NOT FULLY CONSTRAINED.

 Amesbury Truth Engineered Solutions. Trusted Results.	INTERPRET PER: SAME Y14.5M-2009	DRAWING TITLE:		
	UNITS: INCH	.650 ELON DOOR SEAL		
XC4025 R-D	TOLERANCE UNLESS OTHERWISE SPECIFIED	DRAWN BY: AA	CHECKED BY: JH	
	1 PL $\pm .100$ 2 PL $\pm .010$ 3 PL $\pm .005$	SCALE: 5:1	SHEET: 1 OF 5	
THE INFORMATION CONTAINED IN THIS DRAWING IS CONFIDENTIAL AND PROPRIETARY. THIS DRAWING IS NOT TO BE COPIED OR REPRODUCED IN WHOLE OR IN PART WITHOUT EXPRESS WRITTEN CONSENT.	THIRD ANGLE PROJECTION	CAD TYPE: AUTOCAD	SIZE: A	DRAWING #: 12610
PRINTED ON: August 9, 2018		 CRITICAL DIMENSIONS	REV: 1	