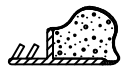
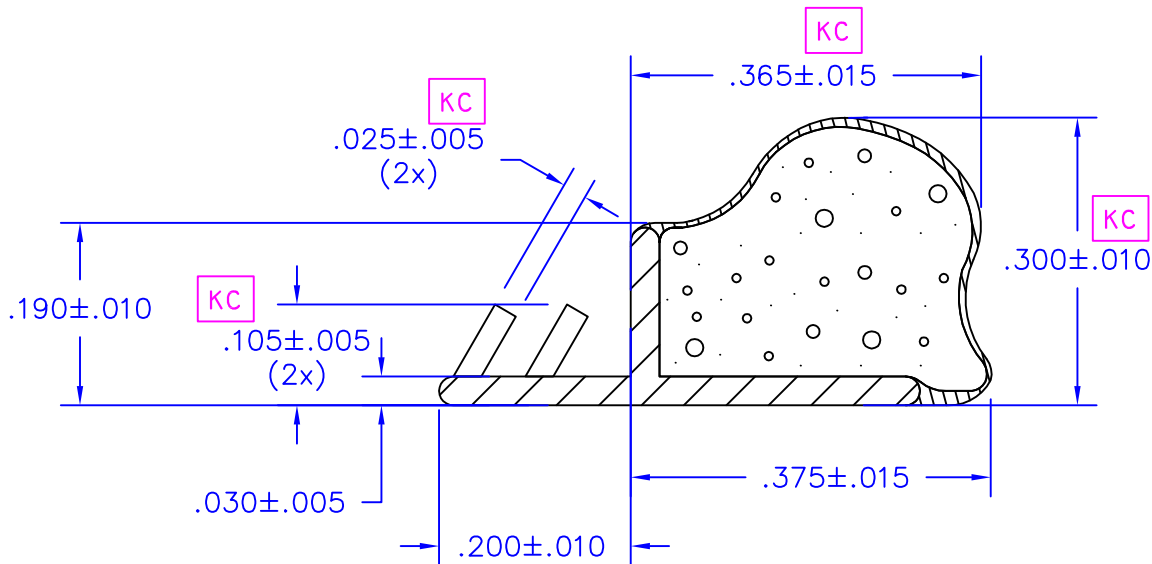


**PROPRIETARY NOTICE**


THE INFORMATION CONTAINED IN THIS DRAWING IS THE PROPERTY OF AMESBURY GROUP, INC. - FOAMTITE AND IS CONFIDENTIAL AND PROPRIETARY TO THE COMPANY. THIS DRAWING IS NOT TO BE COPIED OR REPRODUCED IN WHOLE OR IN PART WITHOUT THE EXPRESS WRITTEN PERMISSION OF THE COMPANY. THE INFORMATION CONTAINED IN THIS DRAWING IS TO BE USED SOLELY FOR THE BENEFIT OF AMESBURY GROUP, INC. - FOAMTITE AND IS NOT TO BE DISCLOSED OR USED IN THE PERFORMANCE OF SERVICES OR MANUFACTURE OF GOODS FOR ANY OTHER PARTY WITHOUT THE EXPRESS WRITTEN PERMISSION OF AMESBURY GROUP, INC. - FOAMTITE.



ACTUAL  
SIZE

FD103 R-0 | SD082 R-0 | CD127 R-0

REVISIONS	DRAWN	DATE	CHK'D	SCALE:
7. See ECN# 036-06	CPC	02/15/94	DA	5/1
8. Change To FD103 R-3 & SD082 R-5 SEE ECN# 068-11	NOTES:			
9.	TITLE:			
10.	WINDOW SEAL			
11.				
12.				



**FOAM-TITE  
AMESBURY GROUP**

57 South Hunt Rd.  
Amesbury, MA 01913

Dwg. or Part No. <b>12091</b>	REV. <b>8</b>
----------------------------------	------------------