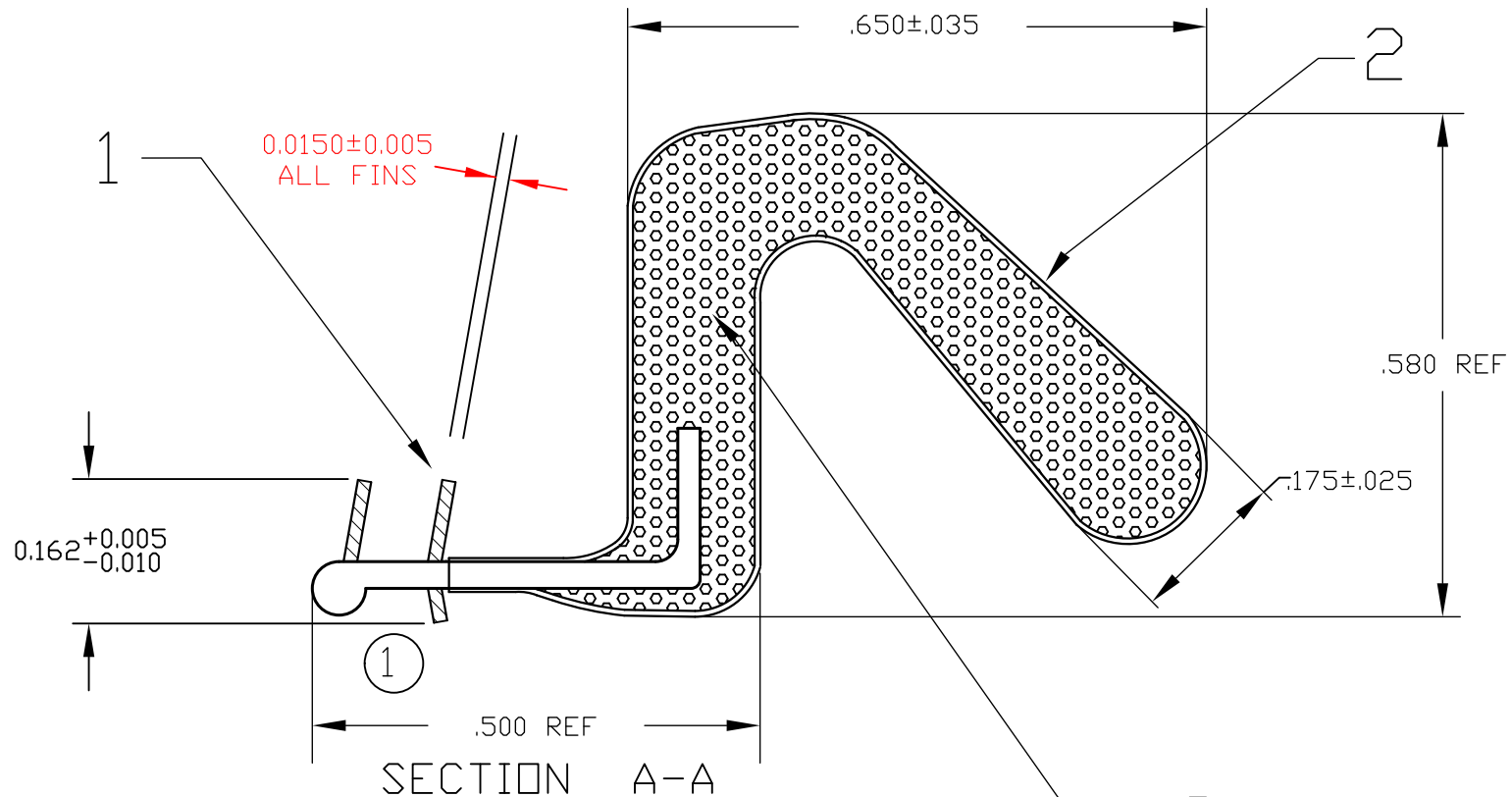
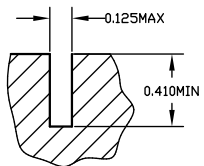


REVISION				
REV	DESCRIPTION	DATE	ECD	BY




RECOMMENDED KERF CHANNEL SIZE



SCALE 2:1

3	EB650 FOAM MIX	POLYURE
2	LINER	POLYETH
1	KERF INSERT PF 588	POLYPROD
PT NO	ITEM	MATL

ACTUAL	SIZE	TOLERANCES UNLESS OTHERWISE SPECIFIED	
	ONE PLACE ± .030	ANGLES ±1°	
	TWO PLACES ± .010		
THREE PLACES ±.005			

V.D.	REF		VENDOR #:	PR 0693	REQ.
SCALE	DRAWN	DATE:	TITLE		
10:1	CHECK'D R. BA	DATE 2018/06/11	PROLON EB 650		
	APPR	DATE	PF 588		
			DWG. NO.		
			DSFC-650K126-PF588		