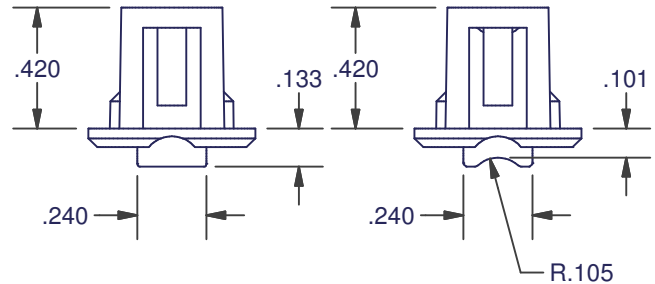
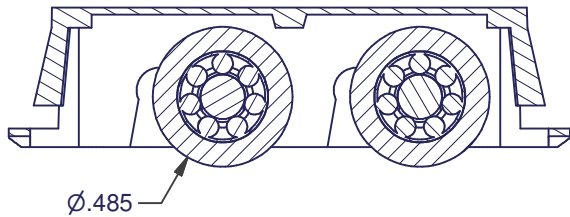
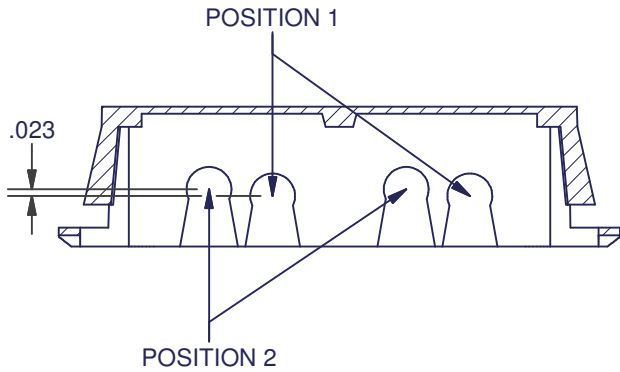
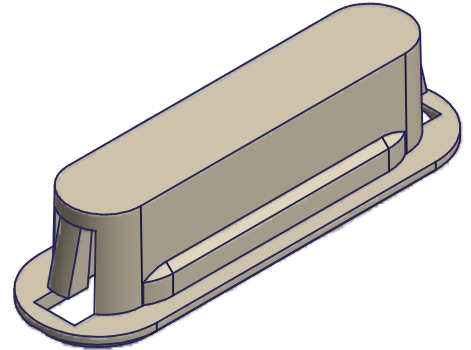
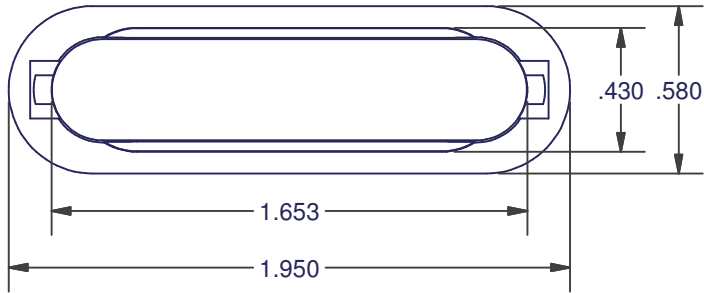


WINDOW ROLLERS

- ASSEMBLED WITH ONE OR TWO ROLLERS
- DEFAULT LOCATION OF A SINGLE ROLLER IS TOWARD THE CENTER PLEASE SPECIFY OTHERWISE

PRECISION ROLLER



FLAT WHEEL

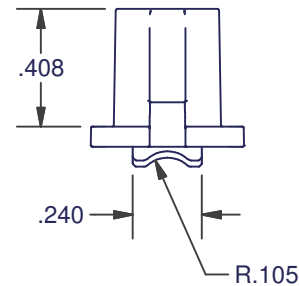
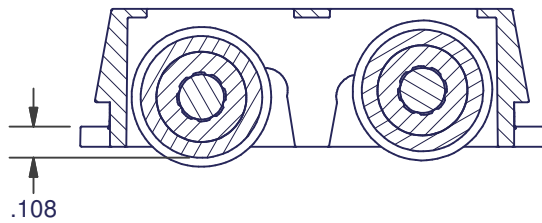
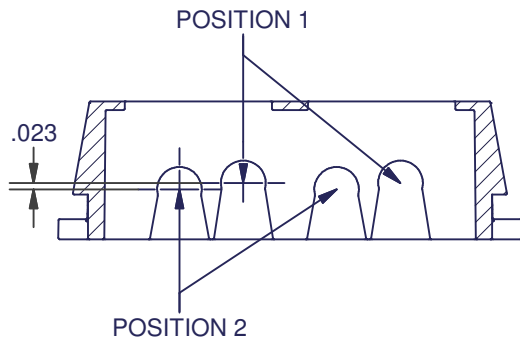
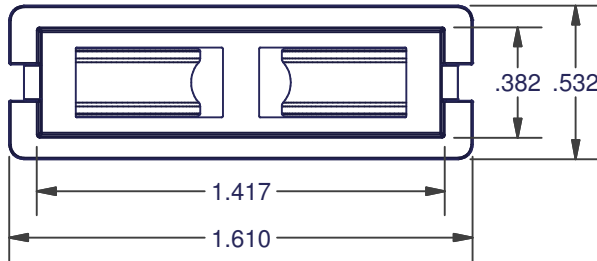
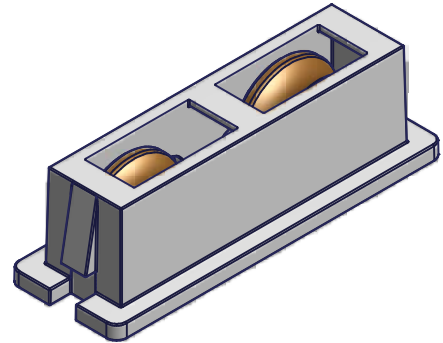
CONCAVE ROLLER

AMESBURY ITEM #	ROLLER QTY	ROLLER POSITION	ROLLER TYPE	MATERIAL		
				HOUSING	ROLLER	AXLE
*400336	2	1	CONCAVE	13% GF NYLON	CELCON	STAINLESS STEEL
*400337	2	2	CONCAVE	13% GF NYLON	CELCON	STAINLESS STEEL
400330	2	1	FLAT	13% GF NYLON	CELCON	STAINLESS STEEL
400331	2	2	FLAT	13% GF NYLON	CELCON	STAINLESS STEEL
400332	2	1	FLAT	13% GF NYLON	BRASS	STAINLESS STEEL
400333	2	2	FLAT	13% GF NYLON	BRASS	STAINLESS STEEL
400334	2	1	FLAT	13% GF NYLON	STAINLESS STEEL	STAINLESS STEEL
400335	2	2	FLAT	13% GF NYLON	STAINLESS STEEL	STAINLESS STEEL

DIMENSIONS ARE FOR REFERENCE ONLY AND ARE IN INCHES UNLESS OTHERWISE NOTED.
CONTACT OUR ENGINEERING DEPARTMENT WITH SPECIFIC APPLICATION QUESTIONS OR REQUIREMENTS.
NOT ALL COMBINATIONS LISTED ARE CURRENTLY STOCKED, EXTRA LEAD TIME MAY BE REQUIRED.

WINDOW ROLLERS

PRECISION ROLLER

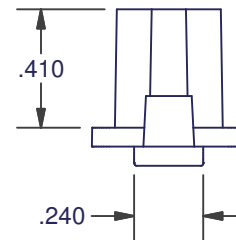
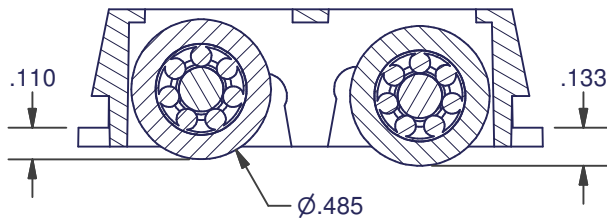
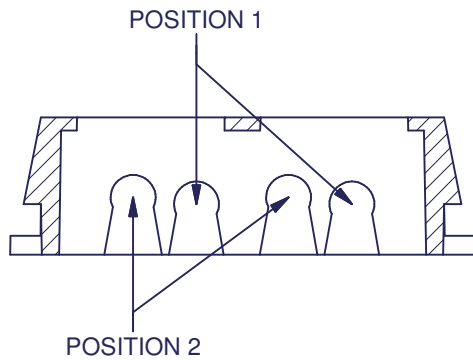
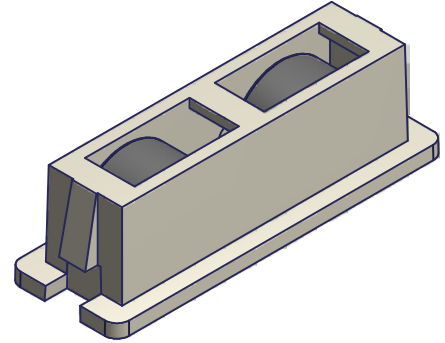
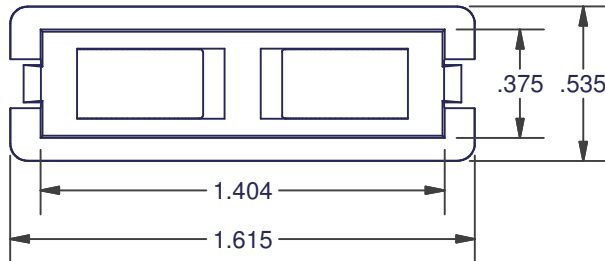


AMESBURY ITEM #	ROLLER QTY	ROLLER POSITION	MATERIAL		
			HOUSING	ROLLER	AXLE
12693	1	1	NYLON	CELCON	STAINLESS STEEL
12694	2	1	NYLON	CELCON	STAINLESS STEEL
12695	1	2	NYLON	CELCON	STAINLESS STEEL
12696	2	2	NYLON	CELCON	STAINLESS STEEL

DIMENSIONS ARE FOR REFERENCE ONLY AND ARE IN INCHES UNLESS OTHERWISE NOTED.
 CONTACT OUR ENGINEERING DEPARTMENT WITH SPECIFIC APPLICATION QUESTIONS OR REQUIREMENTS.
 NOT ALL COMBINATIONS LISTED ARE CURRENTLY STOCKED, EXTRA LEAD TIME MAY BE REQUIRED.

WINDOW ROLLERS

PRECISION ROLLER



AMESBURY ITEM #	ROLLER POSITION	MATERIAL		
		HOUSING	ROLLER MATERIAL	AXLE
400305	1	NYLON	CELCON	STAINLESS STEEL
400306	2	NYLON	CELCON	STAINLESS STEEL
400307	1	NYLON	BRASS	STAINLESS STEEL
400308	2	NYLON	BRASS	STAINLESS STEEL
400309	1	NYLON	STAINLESS STEEL	STAINLESS STEEL
400310	2	NYLON	STAINLESS STEEL	STAINLESS STEEL
400316	1	13% GF NYLON	CELCON	STAINLESS STEEL
400317	2	13% GF NYLON	CELCON	STAINLESS STEEL
400318	1	13% GF NYLON	BRASS	STAINLESS STEEL
400319	2	13% GF NYLON	BRASS	STAINLESS STEEL
400320	1	13% GF NYLON	STAINLESS STEEL	STAINLESS STEEL
400321	2	13% GF NYLON	STAINLESS STEEL	STAINLESS STEEL

DIMENSIONS ARE FOR REFERENCE ONLY AND ARE IN INCHES UNLESS OTHERWISE NOTED.
 CONTACT OUR ENGINEERING DEPARTMENT WITH SPECIFIC APPLICATION QUESTIONS OR REQUIREMENTS.
 NOT ALL COMBINATIONS LISTED ARE CURRENTLY STOCKED, EXTRA LEAD TIME MAY BE REQUIRED.