

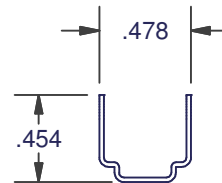
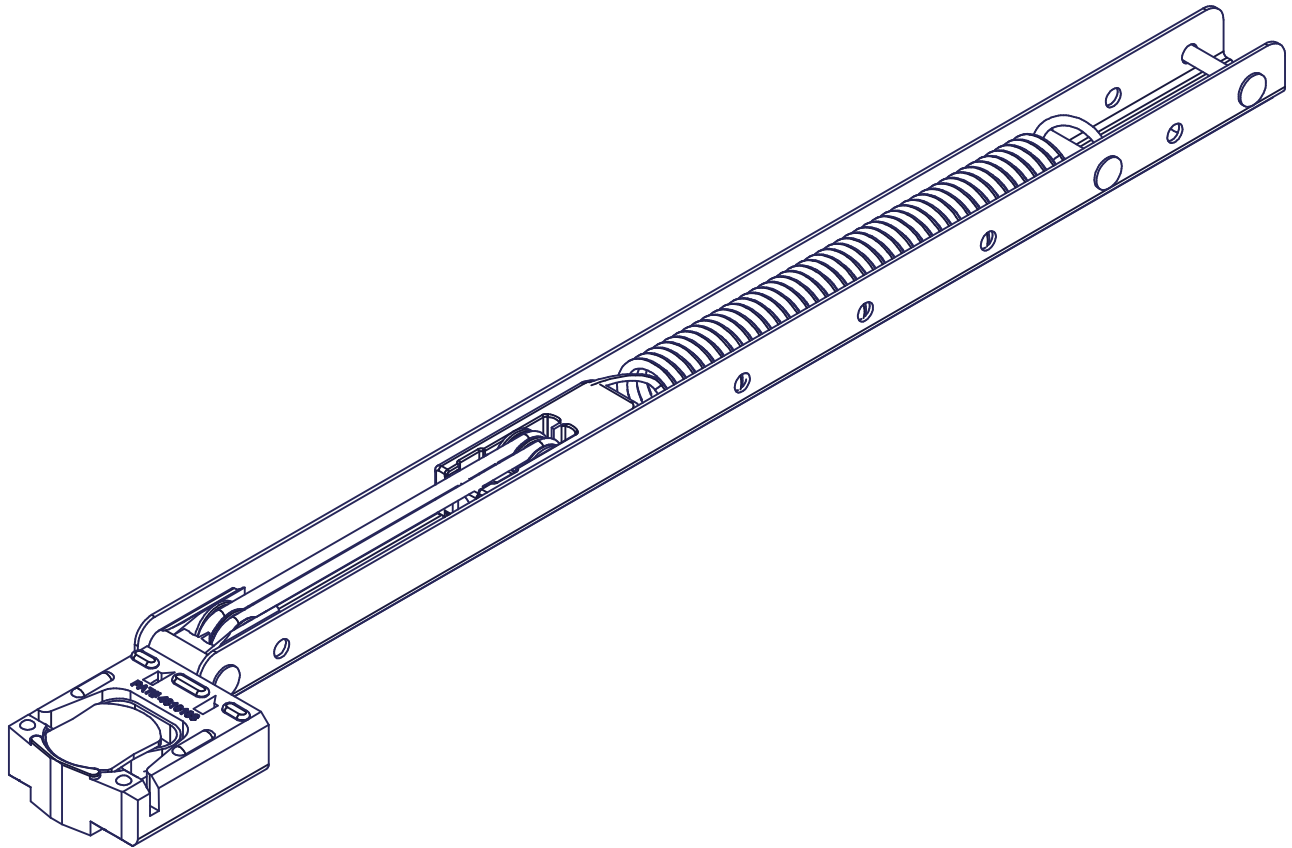
---

# TILT BALANCE B&T

---

**840 SERIES**

- AAMA 902-07 CERTIFIED
- SASH WEIGHT UP TO 36 LBS. FULL TRAVEL



---

DIMENSIONS ARE FOR REFERENCE ONLY AND ARE IN INCHES UNLESS OTHERWISE NOTED.  
CONTACT OUR ENGINEERING DEPARTMENT WITH SPECIFIC APPLICATION QUESTIONS OR REQUIREMENTS.  
NOT ALL COMBINATIONS LISTED ARE CURRENTLY STOCKED, EXTRA LEAD TIME MAY BE REQUIRED.