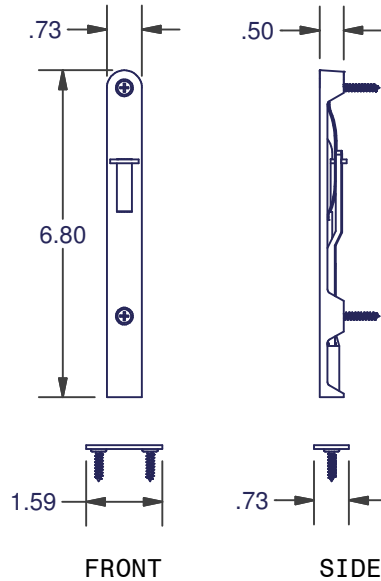
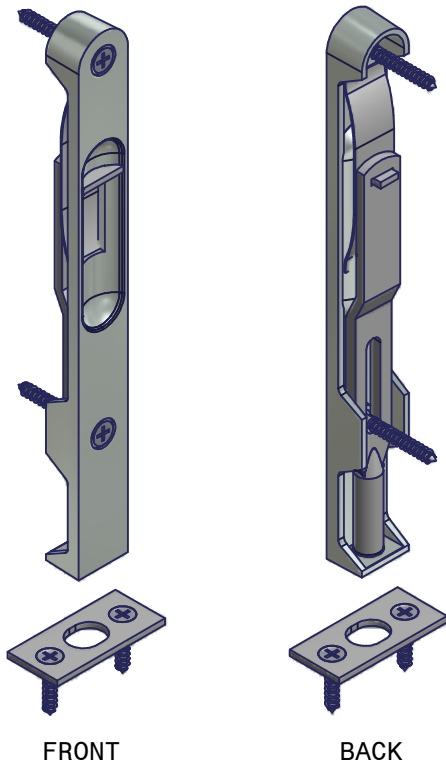


# MANUAL FLUSH BOLTS

## 885 SERIES

SUBSTRATE: BRASS

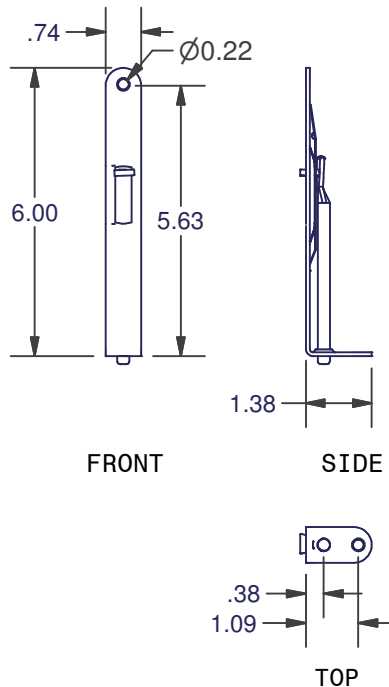
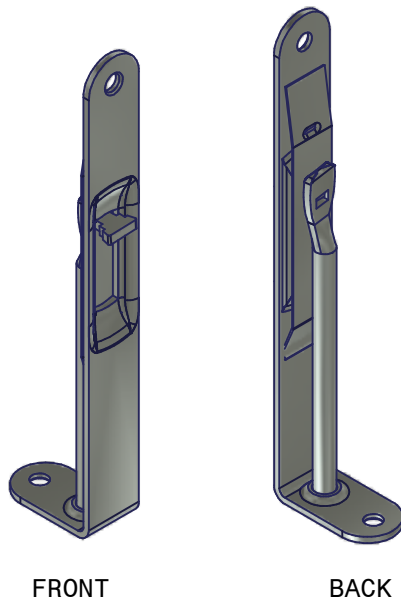


BOLT FULLY EXTENDED =  
1.000 (.315 DIA.)

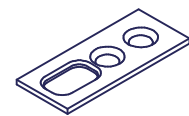
ITEM	FINISH
885-01	WET WHITE
885-76	SOLID BRASS
885-77	BRUSHED CHROME
885-80	ANTIQUÉ BRASS
885-83	BRIGHT CHROME

## 2744 SERIES

SUBSTRATE: BRASS & SS



BOLT FULLY EXTENDED =  
1.280 (.250 DIA.)



WORKS WITH 3087  
STRIKE PLATE

ITEM	FINISH
2744-01	WET WHITE
2744-02	BLACK
2744-76	SOLID BRASS
2744-78	POLISHED SS
2744-84	SAINLESS STEEL
2744-89	OIL RUBBED BRONZE
2744-91	SOLID BRASS PVD

DIMENSIONS ARE FOR REFERENCE ONLY AND ARE IN INCHES UNLESS OTHERWISE NOTED.  
CONTACT OUR ENGINEERING DEPARTMENT WITH SPECIFIC APPLICATION QUESTIONS OR REQUIREMENTS.  
NOT ALL COMBINATIONS LISTED ARE CURRENTLY STOCKED, EXTRA LEAD TIME MAY BE REQUIRED.