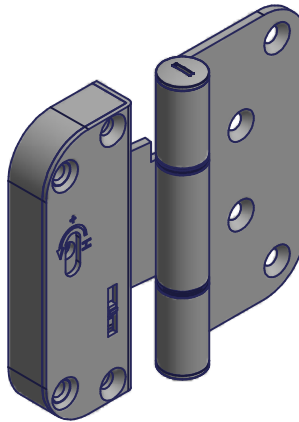
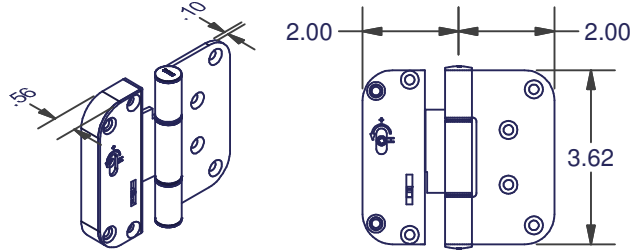


HINGES

FEATURES AND BENEFITS

HG100
SNAP-IN HINGE
 BOX QTY: 30

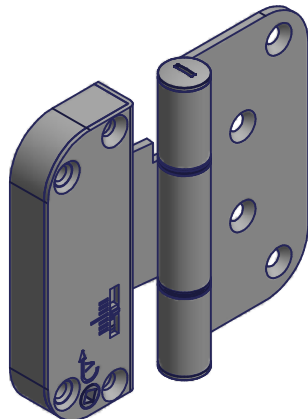
- HORIZONTAL HINGES ADJUST $\pm .125"$.
- VERTICAL HINGES ADJUST $\pm .156"$.
- SECURE OUT-SWING NON-REMOVABLE PIN HINGES AVAILABLE.
- EASY INSTALLATION WITH SNAP FEATURE. NO NEED TO DRIVE HINGE PINS.



HORIZONTAL HINGE		
PIN	ITEM #	FINISH
REMOVEABLE	HG100H-01	WET WHITE
	HG100H-02	BLACK
	HG100H-06	VISION TAN
	HG100H-77	BRUSHED CHROME
	HG100H-79	ANTIQU SILVER
	HG100H-80	ANTIQU BRASS
	HG100H-93	BRASS PVD
	HG100H-94	CHROME PVD
	HG100H-95	SATIN NICKEL PVD
NON-REMOVEABLE	HG100HO-01	WET WHITE
	HG100HO-02	BLACK
	HG100HO-06	VISION TAN
	HG100HO-77	BRUSHED CHROME
	HG100HO-79	ANTIQU SILVER
	HG100HO-80	ANTIQU BRASS
	HG100HO-93	BRASS PVD
	HG100HO-94	CHROME PVD
	HG100HO-95	SATIN NICKEL PVD

VERTICAL HINGE		
PIN	ITEM #	FINISH
REMOVEABLE	HG100V-01	WET WHITE
	HG100V-02	BLACK
	HG100V-06	VISION TAN
	HG100V-77	BRUSHED CHROME
	HG100V-79	ANTIQU SILVER
	HG100V-80	ANTIQU BRASS
	HG100V-93	BRASS PVD
	HG100V-94	CHROME PVD
	HG100V-95	SATIN NICKEL PVD
NON-REMOVEABLE	HG100VO-01	WET WHITE
	HG100VO-02	BLACK
	HG100VO-06	VISION TAN
	HG100VO-77	BRUSHED CHROME
	HG100VO-79	ANTIQU SILVER
	HG100VO-80	ANTIQU BRASS
	HG100VO-93	BRASS PVD
	HG100VO-94	CHROME PVD
	HG100VO-95	SATIN NICKEL PVD

* OTHER FINISHES MAY BE AVAILABLE



APPLICATION TIP:

A STANDARD 3 HINGE DOOR REQUIRES
 (2) HORIZONTAL
 (1) VERTICAL

DIMENSIONS ARE FOR REFERENCE ONLY AND ARE IN INCHES UNLESS OTHERWISE NOTED.
 CONTACT OUR ENGINEERING DEPARTMENT WITH SPECIFIC APPLICATION QUESTIONS OR REQUIREMENTS.
 NOT ALL COMBINATIONS LISTED ARE CURRENTLY STOCKED, EXTRA LEAD TIME MAY BE REQUIRED.