

CONTENTS

SWING DOOR HARDWARE

PREMIERE 2000

FEATURES AND BENEFITS

WOOD DISPLAY

ACTIVE - 3 POINT SHOOT BOLT LOCKING SYSTEM

ACTIVE - 3 POINT TONGUE LOCKING SYSTEM

ACTIVE - 5 POINT TONGUE LOCKING SYSTEM

PASSIVE - LOCKING SYSTEM

ACTIVE - 3 POINT RHINO HOOK LOCKING SYSTEM

ACTIVE - 4 POINT RHINO HOOK LOCKING SYSTEM

ACTIVE - 5 POINT RHINO HOOK LOCKING SYSTEM

PASSIVE - RHINO HOOK LOCKING SYSTEM

SINGLE POINT COMMERCIAL MPL

GEARBOX STRIKES / SHOOT BOLT STRIKES / TONGUE OR RHINO HOOK STRIKES

ADJUSTABLE STRIKES / OTHER ACCESSORIES / WINDOW CLING / MOUNTING SCREWS

RHINO HOOK EXTENSIONS

PREMIERE 2000 RHINO HOOK FABRICATION DRAWING

CUTDOWN INSTRUCTIONS

PREMIERE 2000

FEATURES & BENEFITS

- HIGH SECURITY STAINLESS STEEL MULTI-POINT LOCKING SYSTEM.
- AVAILABLE IN 1.38" (35MM) AND 1.77" (45MM) BACKSETS.
- SUITABLE FOR DOORS WITH 0.63" (16MM) AND 0.79" (20MM) EURO GROVE ROUTING.
- NON-HANDED PULL AND TWIST LATCH BOLT REVERSES EASILY WITH LOCK INSTALLED.
- NON-HANDED ANTI-SLAM / MISHANDLING FEATURE.
- ACCEPTS HANDLE SETS WITH 3.62" (92MM) HOLE SPACING (CENTER OF SPINDLE TO CENTER OF KEY CYLINDER).
- SCREW SUPPORTS PREVENT FACE BAR FROM FLEXING DURING INSTALLATION, ENCOURAGING SMOOTH OPERATION.
- HANDLE HEIGHT CAN BE CUSTOMIZED TO YOUR NEEDS.
- OVERALL LOCK LENGTH CAN BE CUSTOMIZED TO FIT YOUR DOOR PRECISELY.
- DUAL CUT-DOWN LOCK SYSTEMS ARE AVAILABLE.
- LOWER AND UPPER ASSEMBLIES CAN BE SHIPPED TO YOU AS A SINGLE UNIT OR AS TWO SEPARATE ITEMS.



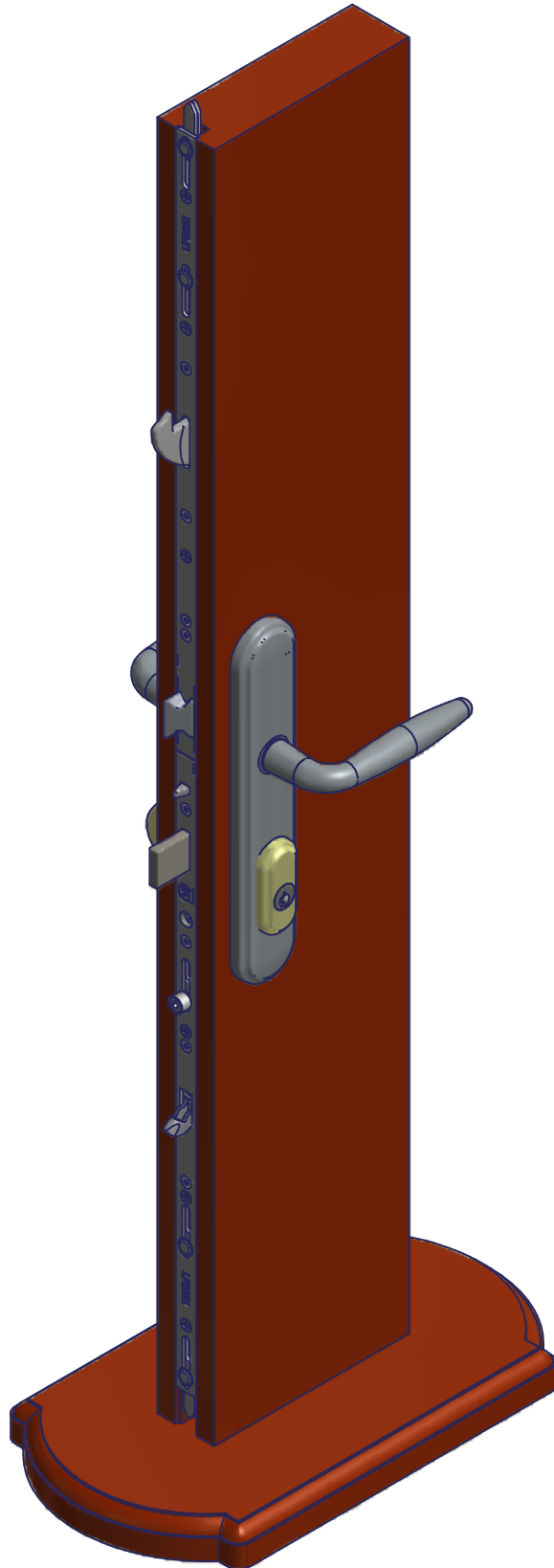
LEGEND	
HH	HANDLE HEIGHT
BS	BACK SET
FB	FACE BAR
BT	BOTTOM TONGUE
TT	TOP TONGUE

MATERIALS	
DEAD BOLT	STAINLESS STEEL
DRIVE BAR	
FACE BAR	
GEARBOX	
SHOOT BOLT	
TONGUE	

DIMENSIONS ARE FOR REFERENCE ONLY AND ARE IN INCHES UNLESS OTHERWISE NOTED.
 CONTACT OUR ENGINEERING DEPARTMENT WITH SPECIFIC APPLICATION QUESTIONS OR REQUIREMENTS.
 NOT ALL COMBINATIONS LISTED ARE CURRENTLY STOCKED, EXTRA LEAD TIME MAY BE REQUIRED.

P2000

WOOD DISPLAY
3633

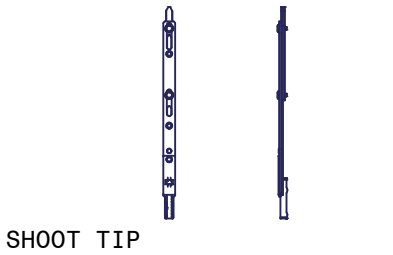


DIMENSIONS ARE FOR REFERENCE ONLY AND ARE IN INCHES UNLESS OTHERWISE NOTED.
CONTACT OUR ENGINEERING DEPARTMENT WITH SPECIFIC APPLICATION QUESTIONS OR REQUIREMENTS.
NOT ALL COMBINATIONS LISTED ARE CURRENTLY STOCKED, EXTRA LEAD TIME MAY BE REQUIRED.

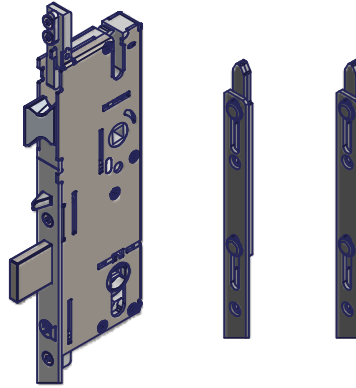
PREMIERE 2000

ACTIVE - 3 POINT SHOOT BOLT LOCKING SYSTEM

BOX QTY: 10



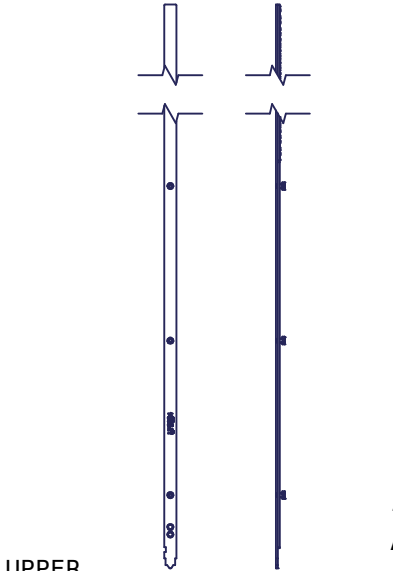
SHOOT TIP



LOCKING FEATURES:

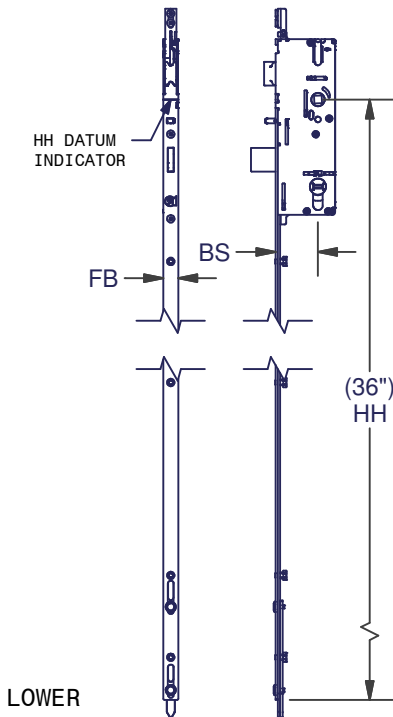
- (1) 1" DEAD BOLT
- (2) SHOOT BOLTS

LEGEND	
HH	HANDLE HEIGHT
BS	BACK SET
FB	FACE BAR



UPPER

***NOTE* ONE (1) LOWER, ONE (1) UPPER, AND ONE (1) SHOOT TIP REQUIRED FOR THIS APPLICATION**



LOWER

FRONT VIEW

SIDE VIEW

GEARBOX	HH	BS	FB	PANEL LENGTH		ITEM NUMBER		
				MIN	MAX	LOWER	UPPER	SHOOT TIP
AMERICAN (SINGLE CUT-DOWN)	36"	35mm 1.378"	16mm 0.63"	69.0	82.5	8135-2310-81-LA	16-2094UA	5670-81
				82.0	95.5	8135-2310-81-LA	16-2095UA	5670-81
				95.0	108.5	8135-2310-81-LA	16-2096UA	5670-81
				108.0	121.5	8135-2310-81-LA	16-2097UA	5670-81
			20mm 0.787"	69.0	82.5	8035-2264-81-LA	20-2294UA	5670-80-81
				82.0	95.5	8035-2264-81-LA	20-2295UA	5670-80-81
				95.0	108.5	8035-2264-81-LA	20-2296UA	5670-80-81
				108.0	121.5	8035-2264-81-LA	*20-2297UA	5670-80-81
		45mm 1.772"	16mm 0.63"	69.0	82.5	8145-2310-81-LA	16-2094UA	5670-81
				82.0	95.5	8145-2310-81-LA	16-2095UA	5670-81
				95.0	108.5	8145-2310-81-LA	16-2096UA	5670-81
				108.0	121.5	8145-2310-81-LA	16-2097UA	5670-81
			20mm 0.787"	69.0	82.5	*8045-2264-81-LA	20-2294UA	5670-80-81
				82.0	95.5	*8045-2264-81-LA	20-2295UA	5670-80-81
				95.0	108.5	*8045-2264-81-LA	20-2296UA	5670-80-81
				108.0	121.5	*8045-2264-81-LA	*20-2297UA	5670-80-81
		60mm 2.362"	16mm 0.63"	69.0	82.5	8160-2310-81-LA	16-2094UA	5670-81
				82.0	95.5	8160-2310-81-LA	16-2095UA	5670-81
				95.0	108.5	8160-2310-81-LA	16-2096UA	5670-81
				108.0	121.5	8160-2310-81-LA	16-2097UA	5670-81
			20mm 0.787"	69.0	82.5	*8060-2264-81-LA	20-2294UA	5670-80-81
				82.0	95.5	*8060-2264-81-LA	20-2295UA	5670-80-81
				95.0	108.5	*8060-2264-81-LA	20-2296UA	5670-80-81
				108.0	121.5	*8060-2264-81-LA	*20-2297UA	5670-80-81

* ITEMS NOT IN SYSTEM AS OF REVISION DATE.

* THE EUROPEAN STYLE MPLS ARE ALSO AVAILABLE, PLEASE CALL COMPANY FOR MORE INFO.

DIMENSIONS ARE FOR REFERENCE ONLY AND ARE IN INCHES UNLESS OTHERWISE NOTED.
CONTACT OUR ENGINEERING DEPARTMENT WITH SPECIFIC APPLICATION QUESTIONS OR REQUIREMENTS.
NOT ALL COMBINATIONS LISTED ARE CURRENTLY STOCKED, EXTRA LEAD TIME MAY BE REQUIRED.

PREMIERE 2000

ACTIVE - 3 POINT TONGUE LOCKING SYSTEM

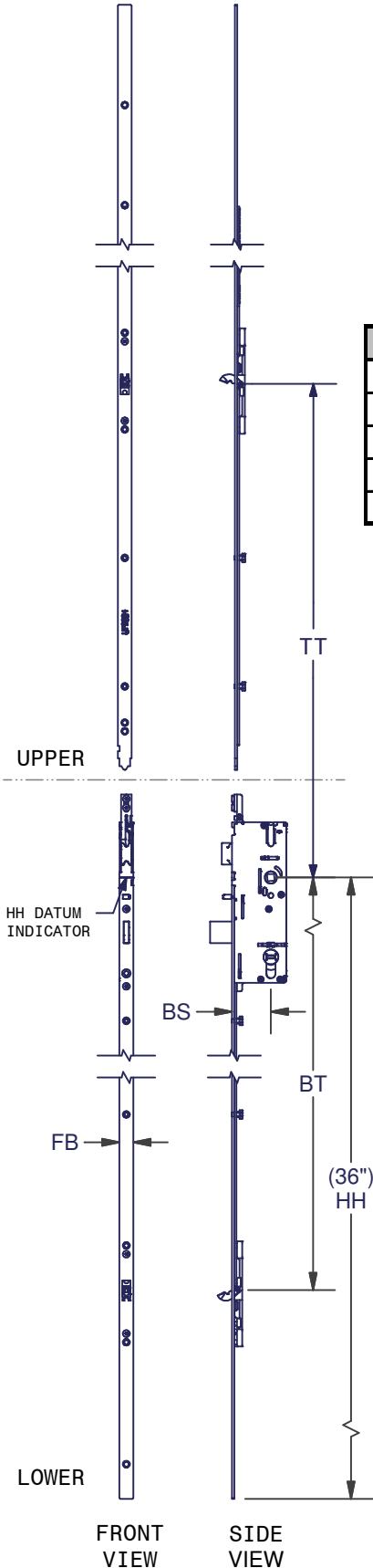
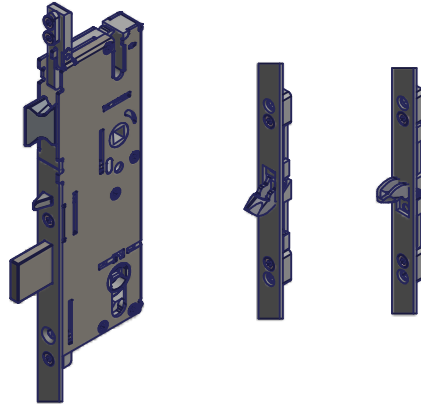
BOX QTY: 10



LOCKING FEATURES:

- (1) 1" DEAD BOLT
- (2) TONGUES

LEGEND	
HH	HANDLE HEIGHT
BS	BACK SET
FB	FACE BAR
BT	BOTTOM TONGUE
TT	TOP TONGUE



NOTE ONE (1) LOWER AND ONE (1) UPPER REQUIRED FOR THIS APPLICATION

NOTE THIS LOCKING SYSTEM REQUIRES AN ASTRAGAL

GEARBOX	HH	BS	FB	PANEL LENGTH		ITEM NUMBER		TONGUE LOCATION	
				MIN	MAX	LOWER	UPPER	BT	TT
AMERICAN (SINGLE CUT-DOWN)	36"	35mm 1.378"	16mm 0.63"	69.0	82.5	8135-2113-81-LA	16-2084UA	26.42	18.92
				82.0	95.5	8135-2113-81-LA	16-2085UA	26.42	26.39
				95.0	108.5	8135-2113-81-LA	16-2086UA	26.42	32.89
			20mm 0.787"	69.0	82.5	8135-2213-81-LA	20-2284UA	26.42	18.92
				82.0	95.5	8135-2213-81-LA	20-2285UA	26.42	26.39
				95.0	108.5	8135-2213-81-LA	20-2286UA	26.42	32.89
		45mm 1.772"	16mm 0.63"	69.0	82.5	8145-2113-81-LA	16-2084UA	26.42	18.92
				82.0	95.5	8145-2113-81-LA	16-2085UA	26.42	26.39
				95.0	108.5	8145-2113-81-LA	16-2086UA	26.42	32.89
			20mm 0.787"	69.0	82.5	8145-2213-81-LA	20-2284UA	26.42	18.92
				82.0	95.5	8145-2213-81-LA	20-2285UA	26.42	26.39
				95.0	108.5	8145-2213-81-LA	20-2286UA	26.42	32.89
		60mm 2.362"	16mm 0.63"	69.0	82.5	*8160-2113-81-LA	16-2084UA	26.42	18.92
				82.0	95.5	*8160-2113-81-LA	16-2085UA	26.42	26.39
				95.0	108.5	*8160-2113-81-LA	16-2086UA	26.42	32.89
			20mm 0.787"	69.0	82.5	*8160-2213-81-LA	20-2284UA	26.42	18.92
				82.0	95.5	*8160-2213-81-LA	20-2285UA	26.42	26.39
				95.0	108.5	*8160-2213-81-LA	20-2286UA	26.42	32.89

* ITEMS NOT IN SYSTEM AS OF REVISION DATE.

* THE EUROPEAN STYLE MPLS ARE ALSO AVAILABLE, PLEASE CALL COMPANY FOR MORE INFO.

DIMENSIONS ARE FOR REFERENCE ONLY AND ARE IN INCHES UNLESS OTHERWISE NOTED.
CONTACT OUR ENGINEERING DEPARTMENT WITH SPECIFIC APPLICATION QUESTIONS OR REQUIREMENTS.
NOT ALL COMBINATIONS LISTED ARE CURRENTLY STOCKED, EXTRA LEAD TIME MAY BE REQUIRED.

PREMIERE 2000

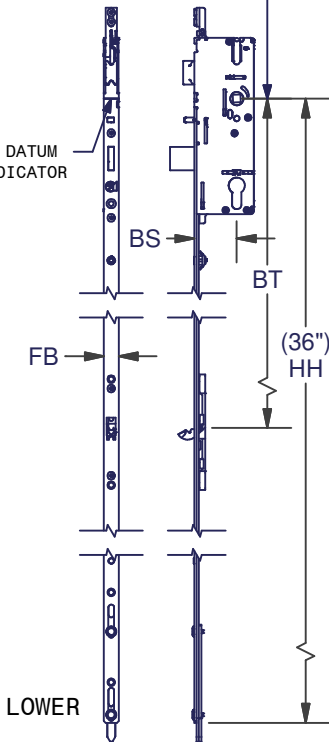
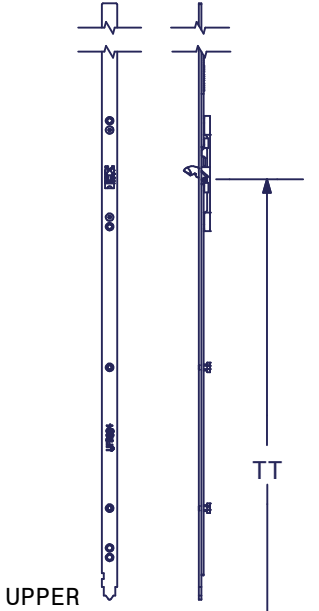
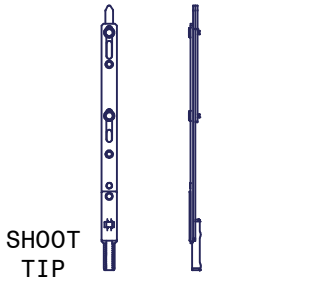
ACTIVE - 5 POINT TONGUE LOCKING SYSTEM



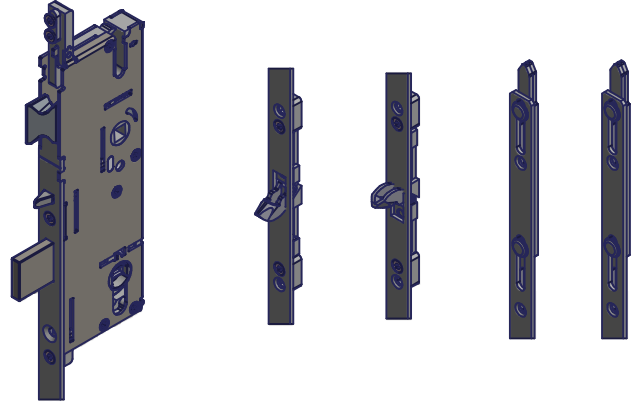
LOCKING FEATURES:

BOX QTY: 10

- (1) 1" DEAD BOLT
- (2) TONGUES
- (2) SHOOT BOLTS



LEGEND	
HH	HANDLE HEIGHT
BS	BACK SET
FB	FACE BAR
BT	BOTTOM TONGUE
TT	TOP TONGUE



NOTE ONE (1) LOWER, ONE (1) UPPER, AND ONE (1) SHOOT TIP REQUIRED FOR THIS APPLICATION

NOTE THIS LOCKING SYSTEM REQUIRES AN ASTRAGAL

GEARBOX	HH	BS	FB	PANEL LENGTH		ITEM NUMBER			TONGUE LOCATION	
				MIN	MAX	LOWER	UPPER	SHOOT TIP	BT	TT
AMER. (SINGLE CUT- DOWN)	36"	35mm 1.378"	16mm 0.63"	69.0	82.5	8435-2044-81-LA	16-2084UA	5670-81	26.42	18.92
				82.0	95.5	8435-2044-81-LA	16-2085UA	5670-81	26.42	26.39
				95.0	108.5	8435-2044-81-LA	16-2086UA	5670-81	26.42	32.89
			20mm 0.787"	69.0	82.5	8435-2244-81-LA	20-2284UA	5670-80-81	26.42	18.92
				82.0	95.5	8435-2244-81-LA	20-2285UA	5670-80-81	26.42	26.39
				95.0	108.5	8435-2244-81-LA	20-2286UA	5670-80-81	26.42	32.89
		45mm 1.772"	16mm 0.63"	69.0	82.5	8445-2044-81-LA	16-2084UA	5670-81	26.42	18.92
				82.0	95.5	8445-2044-81-LA	16-2085UA	5670-81	26.42	26.39
				95.0	108.5	8445-2044-81-LA	16-2086UA	5670-81	26.42	32.89
			20mm 0.787"	69.0	82.5	8445-2244-81-LA	20-2284UA	5670-80-81	26.42	18.92
				82.0	95.5	8445-2244-81-LA	20-2285UA	5670-80-81	26.42	26.39
				95.0	108.5	8445-2244-81-LA	20-2286UA	5670-80-81	26.42	32.89
		60mm 2.362"	16mm 0.63"	69.0	82.5	*8460-2044-81-LA	16-2084UA	5670-81	26.42	18.92
				82.0	95.5	*8460-2044-81-LA	16-2085UA	5670-81	26.42	26.39
				95.0	108.5	*8460-2044-81-LA	16-2086UA	5670-81	26.42	32.89
			20mm 0.787"	69.0	82.5	*8460-2244-81-LA	20-2284UA	5670-80-81	26.42	18.92
				82.0	95.5	*8460-2244-81-LA	20-2285UA	5670-80-81	26.42	26.39
				95.0	108.5	*8460-2244-81-LA	20-2286UA	5670-80-81	26.42	32.89

* ITEMS NOT IN SYSTEM AS OF REVISION DATE.

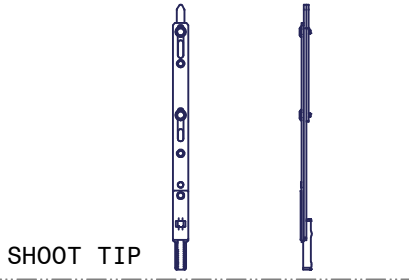
*THE EUROPEAN STYLE MPLS ARE ALSO AVAILABLE, PLEASE CALL COMPANY FOR MORE INFO.

DIMENSIONS ARE FOR REFERENCE ONLY AND ARE IN INCHES UNLESS OTHERWISE NOTED.
CONTACT OUR ENGINEERING DEPARTMENT WITH SPECIFIC APPLICATION QUESTIONS OR REQUIREMENTS.
NOT ALL COMBINATIONS LISTED ARE CURRENTLY STOCKED, EXTRA LEAD TIME MAY BE REQUIRED.

PREMIERE 2000

PASSIVE - LOCKING SYSTEM

BOX QTY: 10



SHOOT TIP



UPPER

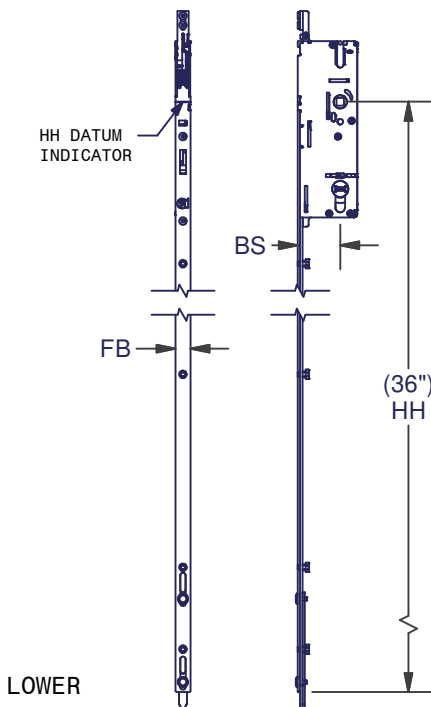
LEGEND	
HH	HANDLE HEIGHT
BS	BACK SET
FB	FACE BAR



LOCKING FEATURES:

(2) SHOOT BOLTS

NOTE ONE (1) LOWER, ONE (1) UPPER, AND ONE (1) SHOOT TIS REQUIRED FOR THIS APPLICATION



LOWER

FRONT VIEW

SIDE VIEW

GEARBOX	HH	BS	FB	PANEL LENGTH		ITEM NUMBER		
				MIN	MAX	LOWER	UPPER	SHOOT TIP
AMERICAN (SINGLE CUT-DOWN)	36"	35mm 1.378"	16mm 0.63"	69.0	82.5	8535-2070-81-LA	16-2074UA	5670-81
				82.0	95.5	8535-2070-81-LA	16-2075UA	5670-81
				95.0	108.5	8535-2070-81-LA	16-2076UA	5670-81
				108.0	121.5	8535-2070-81-LA	16-2071UA	5670-81
			20mm 0.787"	69.0	82.5	8535-2270-81-LA	20-2274UA	5670-80-81
				82.0	95.5	8535-2270-81-LA	20-2275UA	5670-80-81
				95.0	108.5	8535-2270-81-LA	20-2276UA	5670-80-81
				108.0	121.5	8535-2270-81-LA	20-2271UA	5670-80-81
		45mm 1.772"	16mm 0.63"	69.0	82.5	8545-2070-81-LA	16-2074UA	5670-81
				82.0	95.5	8545-2070-81-LA	16-2075UA	5670-81
				95.0	108.5	8545-2070-81-LA	16-2076UA	5670-81
				108.0	121.5	8545-2070-81-LA	16-2071UA	5670-81
			20mm 0.787"	69.0	82.5	*8545-2270-81-LA	20-2274UA	5670-80-81
				82.0	95.5	*8545-2270-81-LA	20-2275UA	5670-80-81
				95.0	108.5	*8545-2270-81-LA	20-2276UA	5670-80-81
				108.0	121.5	*8545-2270-81-LA	20-2271UA	5670-80-81
		60mm 2.362"	16mm 0.63"	69.0	82.5	*8560-2070-81-LA	16-2074UA	5670-81
				82.0	95.5	*8560-2070-81-LA	16-2075UA	5670-81
				95.0	108.5	*8560-2070-81-LA	16-2076UA	5670-81
				108.0	121.5	*8560-2070-81-LA	16-2071UA	5670-81
			20mm 0.787"	69.0	82.5	*8560-2270-81-LA	20-2274UA	5670-80-81
				82.0	95.5	*8560-2270-81-LA	20-2275UA	5670-80-81
				95.0	108.5	*8560-2270-81-LA	20-2276UA	5670-80-81
				108.0	121.5	*8560-2270-81-LA	20-2271UA	5670-80-81

* ITEMS NOT IN SYSTEM AS OF REVISION DATE.

* THE EUROPEAN STYLE MPLS ARE ALSO AVAILABLE, PLEASE CALL COMPANY FOR MORE INFO.

DIMENSIONS ARE FOR REFERENCE ONLY AND ARE IN INCHES UNLESS OTHERWISE NOTED.
CONTACT OUR ENGINEERING DEPARTMENT WITH SPECIFIC APPLICATION QUESTIONS OR REQUIREMENTS.
NOT ALL COMBINATIONS LISTED ARE CURRENTLY STOCKED, EXTRA LEAD TIME MAY BE REQUIRED.

PREMIERE 2000

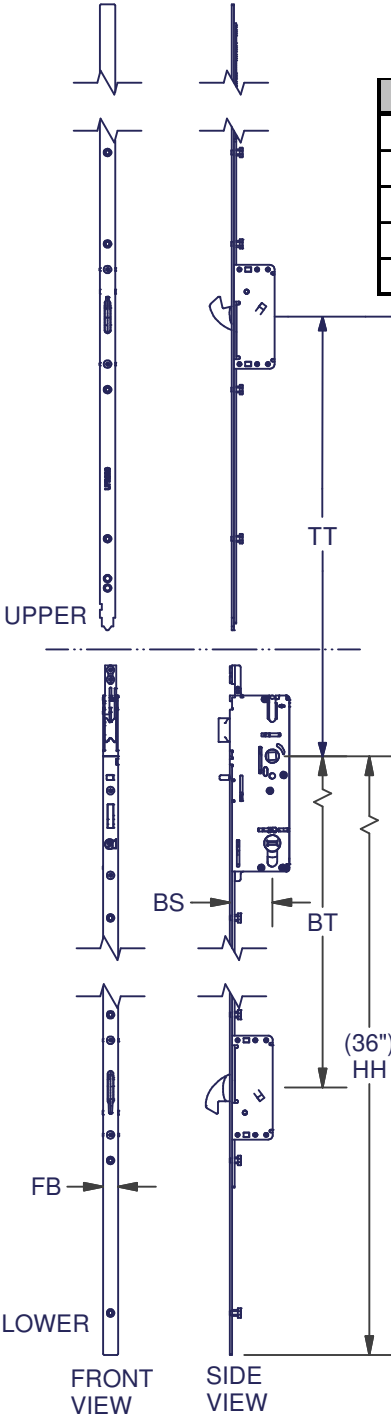
ACTIVE - 3 POINT RHINO HOOK LOCKING SYSTEM

BOX QTY = 10

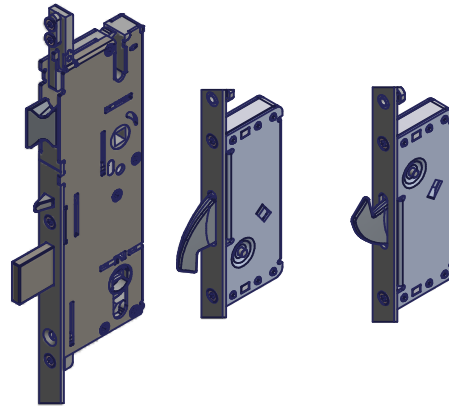


LOCKING FEATURES:

- (1) 1" DEAD BOLT
- (2) RHINO HOOKS
- (1) SHOOT BOLT



LEGEND	
HH	HANDLE HEIGHT
BS	BACK SET
FB	FACE BAR
BT	BOTTOM TONGUE
TT	TOP TONGUE



NOTE ONE (1) LOWER, AND ONE (1) UPPER REQUIRED FOR THIS APPLICATION

GEARBOX	HH	BS	FB	PANEL LENGTH		ITEM NUMBER			TONGUE LOCATION	
				MIN	MAX	FULL ASSEMBLY	LOWER	UPPER	BT	TT
AMERICAN (SINGLE CUT-DOWN)	36"	35mm	16mm	69	82.5	8735202081	8735202081LA	16-2014UA	24.87	14.47
				82	95.5	8735202181	8735202081LA	16-2015UA	24.87	27.47
				95	108.5	8735202281	8735202081LA	16-2016UA	24.87	40.47
			20mm	69	82.5	8735222081	8735222081LA	20-2214UA	24.87	14.47
				82	95.5	8735222181	8735222081LA	*20-2215UA	24.87	27.47
				95	108.5	8735222281	8735222081LA	*20-2216UA	24.87	40.47
		45mm	16mm	69	82.5	8745202081	8745202081LA	16-2014UA	24.87	14.47
				82	95.5	8745202181	8745202081LA	16-2015UA	24.87	27.47
				95	108.5	8745202281	8745202081LA	16-2016UA	24.87	40.47
			20mm	69	82.5	8745222081	8745222081LA	20-2214UA	24.87	14.47
				82	95.5	8745222181	8745222081LA	*20-2215UA	24.87	27.47
				95	108.5	8745222281	8745222081LA	*20-2216UA	24.87	40.47
		60mm	16mm	69	82.5	8760202081	8760202081LA	16-2014UA	24.87	14.47
				82	95.5	8760202181	8760202081LA	16-2015UA	24.87	27.47
				95	108.5	8760202281	8760202081LA	16-2016UA	24.87	40.47
			20mm	69	82.5	8760222081	8760222081LA	20-2214UA	24.87	14.47
				82	95.5	8760222181	8760222081LA	*20-2215UA	24.87	27.47
				95	108.5	8760222281	8760222081LA	*20-2216UA	24.87	40.47

* ITEMS NOT IN SYSTEM AS OF REVISION DATE

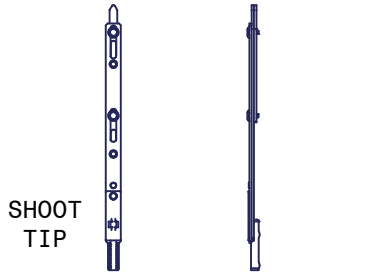
*THE EUROPEAN STYLE MPLS ARE ALSO AVAILABLE, PLEASE CALL COMPANY FOR MORE INFO.

DIMENSIONS ARE FOR REFERENCE ONLY AND ARE IN INCHES UNLESS OTHERWISE NOTED.
CONTACT OUR ENGINEERING DEPARTMENT WITH SPECIFIC APPLICATION QUESTIONS OR REQUIREMENTS.
NOT ALL COMBINATIONS LISTED ARE CURRENTLY STOCKED, EXTRA LEAD TIME MAY BE REQUIRED.

PREMIERE 2000

ACTIVE - 4 POINT RHINO HOOK LOCKING SYSTEM

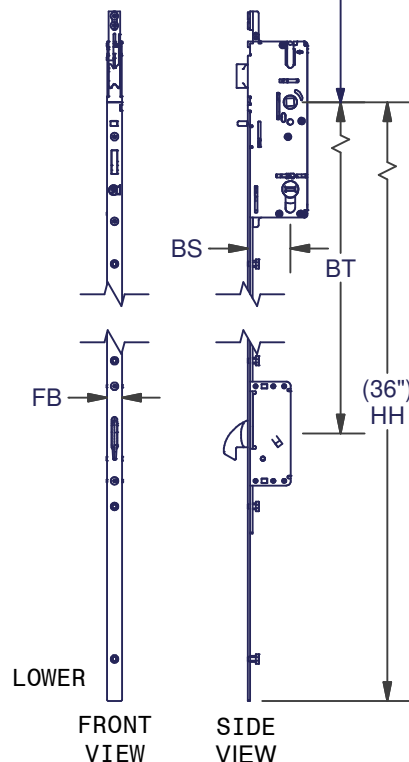
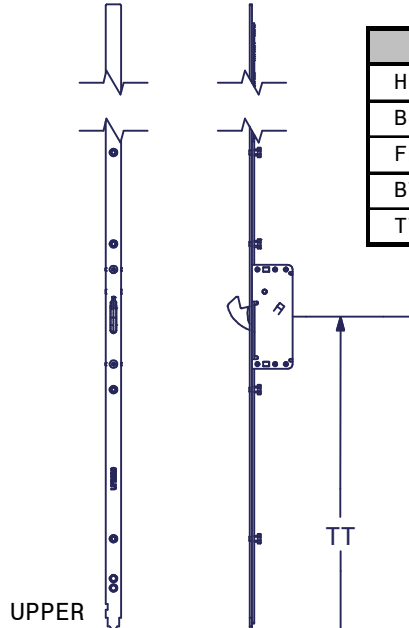
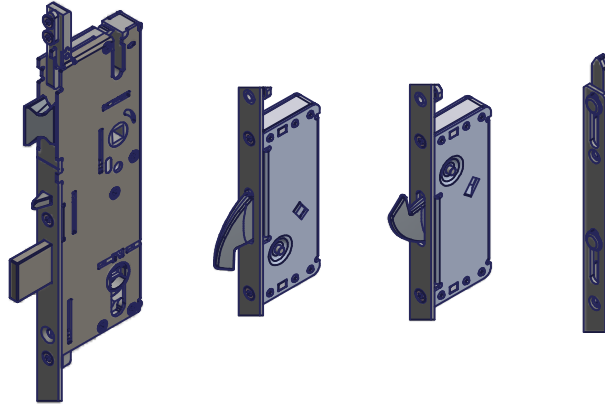
BOX QTY = 10



LOCKING FEATURES:

- (1) 1" DEAD BOLT
- (2) RHINO HOOKS
- (1) SHOOT BOLT

LEGEND	
HH	HANDLE HEIGHT
BS	BACK SET
FB	FACE BAR
BT	BOTTOM TONGUE
TT	TOP TONGUE



NOTE ONE (1) LOWER, ONE (1) UPPER, AND ONE (1) SHOOT TIP REQUIRED FOR THIS APPLICATION

GEARBOX	HH	BS	FB	PANEL LENGTH		ITEM NUMBER				TONGUE LOCATION		
				MIN	MAX	FULL ASSEMBLY	LOWER	UPPER	SHOOT TIP	BT	TT	
AMERICAN (SINGLE CUT-DOWN)	36"	35mm	16mm	69.0	82.5	8735202081	8735202081LA	16-2014UA	5670-81	24.87	14.47	
				82.0	95.5	8735202181	8735202081LA	16-2015UA	5670-81	24.87	27.47	
				95.0	108.5	8735202281	8735202081LA	16-2016UA	5670-81	24.87	40.47	
				69.0	82.5	8735222081	*8735222081LA	*20-2214UA	5670-80-81	24.87	14.47	
				82.0	95.5	8735222181	*8735222081LA	*20-2215UA	5670-80-81	24.87	27.47	
				95.0	108.5	8735222281	*8735222081LA	*20-2216UA	5670-80-81	24.87	40.47	
			45mm	16mm	69.0	82.5	8745202081	8745202081LA	16-2014UA	5670-81	24.87	14.47
					82.0	95.5	8745202181	8745202081LA	16-2015UA	5670-81	24.87	27.47
					95.0	108.5	8745202281	8745202081LA	16-2016UA	5670-81	24.87	40.47
				20mm	69.0	82.5	8745222081	*8745222081LA	*20-2214UA	5670-80-81	24.87	14.47
					82.0	95.5	8745222181	*8745222081LA	*20-2215UA	5670-80-81	24.87	27.47
					95.0	108.5	8745222281	*8745222081LA	*20-2216UA	5670-80-81	24.87	40.47
		60mm	16mm	69.0	82.5	8760202081	8760202081LA	16-2014UA	5670-81	24.87	14.47	
				82.0	95.5	8760202181	8760202081LA	16-2015UA	5670-81	24.87	27.47	
				95.0	108.5	8760202281	8760202081LA	16-2016UA	5670-81	24.87	40.47	
			20mm	69.0	82.5	8760222081	*8760222081LA	*20-2214UA	5670-80-81	24.87	14.47	
				82.0	95.5	8760222181	*8760222081LA	*20-2215UA	5670-80-81	24.87	27.47	
				95.0	108.5	8760222281	*8760222081LA	*20-2216UA	5670-80-81	24.87	40.47	

* ITEMS NOT IN SYSTEM AS OF REVISION DATE

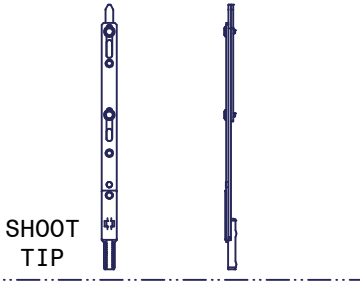
* THE EUROPEAN STYLE MPLS ARE ALSO AVAILABLE, PLEASE CALL COMPANY FOR MORE INFO.

DIMENSIONS ARE FOR REFERENCE ONLY AND ARE IN INCHES UNLESS OTHERWISE NOTED.
CONTACT OUR ENGINEERING DEPARTMENT WITH SPECIFIC APPLICATION QUESTIONS OR REQUIREMENTS.
NOT ALL COMBINATIONS LISTED ARE CURRENTLY STOCKED, EXTRA LEAD TIME MAY BE REQUIRED.

PREMIERE 2000

ACTIVE - 5 POINT RHINO HOOK LOCKING SYSTEM

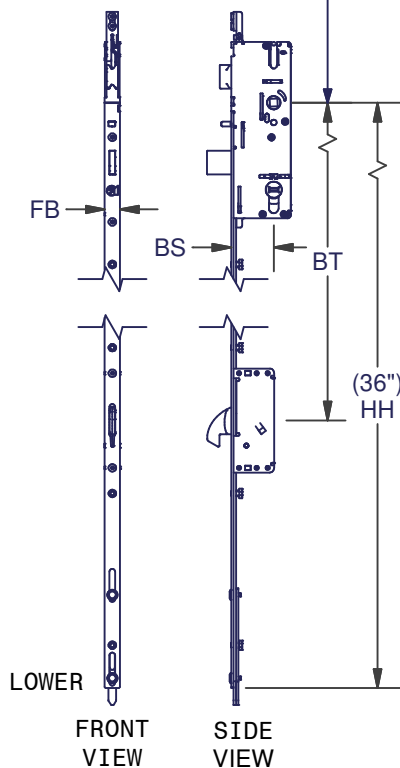
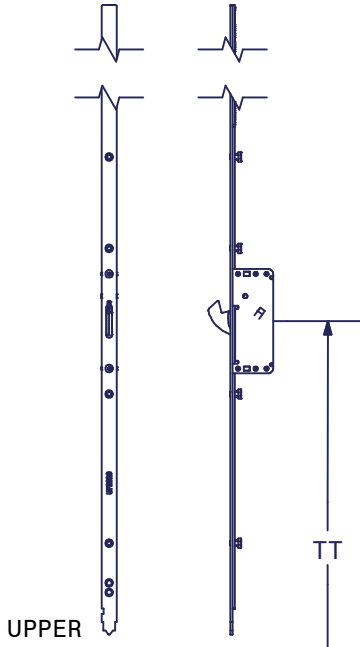
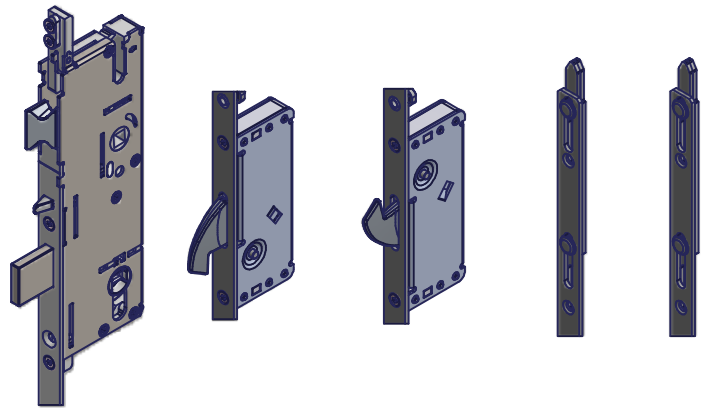
BOX QTY: 10



LOCKING FEATURES:

- (1) 1" DEAD BOLT
- (2) RHINO HOOKS
- (2) SHOOT BOLTS

LEGEND	
HH	HANDLE HEIGHT
BS	BACK SET
FB	FACE BAR
BT	BOTTOM TONGUE
TT	TOP TONGUE



NOTE ONE (1) LOWER, ONE (1) UPPER, AND ONE (1) SHOOT TIP REQUIRED FOR THIS APPLICATION

GEARBOX	HH	BS	FB	PANEL LENGTH		ITEM NUMBER				TONGUE LOCATION	
				MIN	MAX	FULL ASSEMBLY	LOWER	UPPER	SHOOT TIP	BT	TT
AMERICAN (SINGLE CUT-DOWN)	36"	35mm	16mm	69.0	82.5	8735202381	8735202381LA	16-2014UA	5670-81	24.87	14.47
				82.0	95.5	8735202481	8735202381LA	16-2015UA	5670-81	24.87	27.47
				95.0	108.5	8735202581	8735202381LA	*16-2016UA	5670-81	24.87	40.47
			20mm	69.0	82.5	*8735222381	*8735222381LA	20-2214UA	5670-80-81	24.87	14.47
				82.0	95.5	*8735222481	*8735222381LA	*20-2215UA	5670-80-81	24.87	27.47
				95.0	108.5	*8735222581	*8735222381LA	*20-2216UA	5670-80-81	24.87	40.47
		45mm	16mm	69.0	82.5	8745202381	8745202381LA	16-2014UA	5670-81	24.87	14.47
				82.0	95.5	8745202481	8745202381LA	16-2015UA	5670-81	24.87	27.47
				95.0	108.5	8745202581	8745202381LA	*16-2016UA	5670-81	24.87	40.47
			20mm	69.0	82.5	*8745222381	*8745222381LA	20-2214UA	5670-80-81	24.87	14.47
				82.0	95.5	*8745222481	*8745222381LA	*20-2215UA	5670-80-81	24.87	27.47
				95.0	108.5	*8745222581	*8745222381LA	*20-2216UA	5670-80-81	24.87	40.47
		60mm	16mm	69.0	82.5	*8760202381	8760202381LA	16-2014UA	5670-81	24.87	14.47
				82.0	95.5	*8760202481	8760202381LA	16-2015UA	5670-81	24.87	27.47
				95.0	108.5	*8760202581	8760202381LA	*16-2016UA	5670-81	24.87	40.47
			20mm	69.0	82.5	*8760222381	*8760222381LA	20-2214UA	5670-80-81	24.87	14.47
				82.0	95.5	*8760222481	*8760222381LA	*20-2215UA	5670-80-81	24.87	27.47
				95.0	108.5	*8760222581	*8760222381LA	*20-2216UA	5670-80-81	24.87	40.47

* ITEMS NOT IN SYSTEM AS OF REVISION DATE

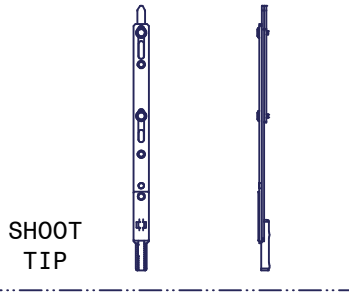
* THE EUROPEAN STYLE MPLS ARE ALSO AVAILABLE, PLEASE CALL COMPANY FOR MORE INFO.

DIMENSIONS ARE FOR REFERENCE ONLY AND ARE IN INCHES UNLESS OTHERWISE NOTED.
CONTACT OUR ENGINEERING DEPARTMENT WITH SPECIFIC APPLICATION QUESTIONS OR REQUIREMENTS.
NOT ALL COMBINATIONS LISTED ARE CURRENTLY STOCKED, EXTRA LEAD TIME MAY BE REQUIRED.

PREMIERE 2000

PASSIVE - RHINO HOOK LOCKING SYSTEM

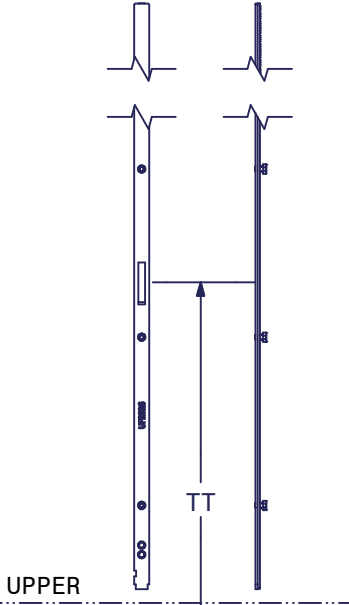
BOX QTY: 10



SHOOT TIP

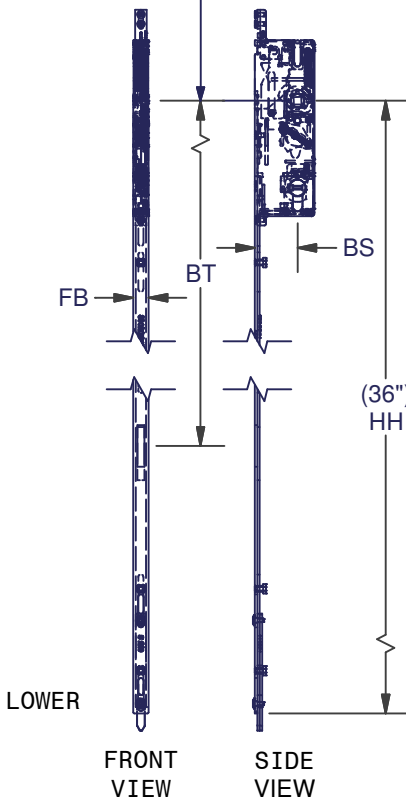


LOCKING FEATURES:
(2) SHOOT BOLTS



UPPER

LEGEND	
HH	HANDLE HEIGHT
BS	BACK SET
FB	FACE BAR
BT	BOTTOM TONGUE
TT	TOP TONGUE



LOWER

FRONT VIEW

SIDE VIEW

NOTE ONE (1) LOWER, ONE (1) UPPER, AND ONE (1) SHOOT TIP REQUIRED FOR THIS APPLICATION

GEARBOX	HH	BS	FB	PANEL LENGTH		ITEM NUMBER				TONGUE LOCATION	
				MIN	MAX	FULL ASSEMBLY	LOWER	UPPER	SHOOT TIP	BT	TT
AMERICAN (SINGLE CUT-DOWN)	36"	35mm	16mm	69.0	82.5	8535202681	8535202681LA	16-2026UA	5670-81	24.87	14.47
				82.0	95.5	8535202781	8535202681LA	16-2027UA	5670-81	24.87	27.47
				95.0	108.5	8535202881	8535202681LA	16-2028UA	5670-81	24.87	40.47
			20mm	69.0	82.5	8535222681	*8535222681LA	*20-2226UA	5670-80-81	24.87	14.47
				82.0	95.5	8535222781	*8535222681LA	*20-2227UA	5670-80-81	24.87	27.47
				95.0	108.5	8535222881	*8535222681LA	*20-2228UA	5670-80-81	24.87	40.47
		45mm	16mm	69.0	82.5	8545202681	8545202681LA	16-2026UA	5670-81	24.87	14.47
				82.0	95.5	8545202781	8545202681LA	16-2027UA	5670-81	24.87	27.47
				95.0	108.5	8545202881	8545202681LA	16-2028UA	5670-81	24.87	40.47
			20mm	69.0	82.5	8545222681	8545222681LA	*20-2226UA	5670-80-81	24.87	14.47
				82.0	95.5	8545222781	8545222681LA	*20-2227UA	5670-80-81	24.87	27.47
				95.0	108.5	8545222881	8545222681LA	*20-2228UA	5670-80-81	24.87	40.47
		60mm	16mm	69.0	82.5	8560202681	*8560202681LA	16-2026UA	5670-81	24.87	14.47
				82.0	95.5	8560202781	*8560202681LA	16-2027UA	5670-81	24.87	27.47
				95.0	108.5	8560202881	*8560202681LA	16-2028UA	5670-81	24.87	40.47
			20mm	69.0	82.5	8560222681	*8560222681LA	*20-2226UA	5670-80-81	24.87	14.47
				82.0	95.5	8560222781	*8560222681LA	*20-2227UA	5670-80-81	24.87	27.47
				95.0	108.5	8560222881	*8560222681LA	*20-2228UA	5670-80-81	24.87	40.47

* ITEMS NOT IN SYSTEM AS OF REVISION DATE

* THE EUROPEAN STYLE MPLS ARE ALSO AVAILABLE, PLEASE CALL COMPANY FOR MORE INFO.

DIMENSIONS ARE FOR REFERENCE ONLY AND ARE IN INCHES UNLESS OTHERWISE NOTED.
CONTACT OUR ENGINEERING DEPARTMENT WITH SPECIFIC APPLICATION QUESTIONS OR REQUIREMENTS.
NOT ALL COMBINATIONS LISTED ARE CURRENTLY STOCKED, EXTRA LEAD TIME MAY BE REQUIRED.

SINGLE POINT COMMERCIAL MPL

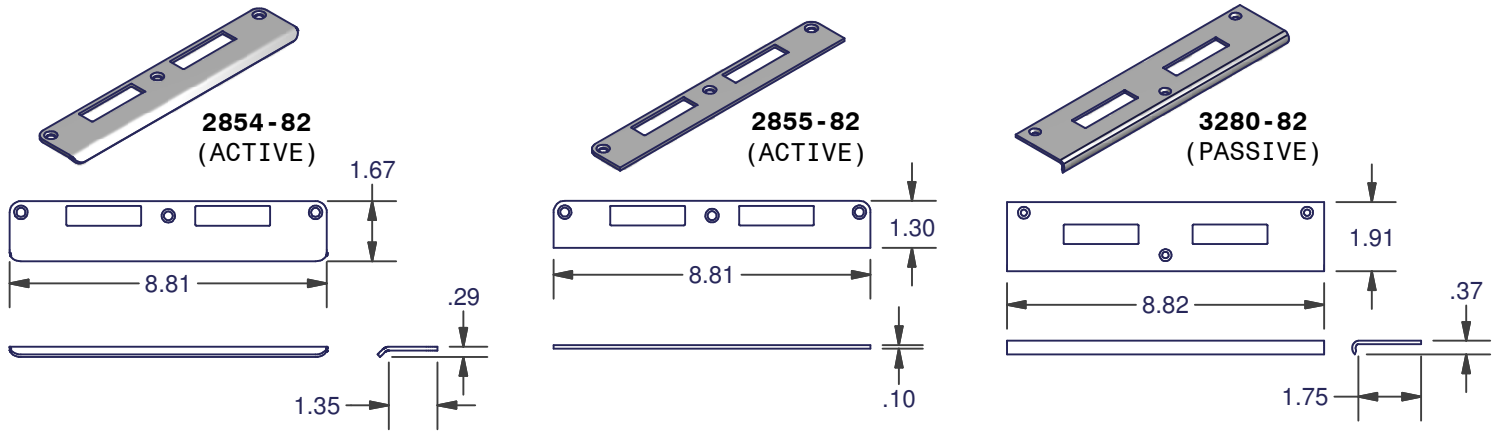


GEARBOX	HS	BS	FB	PART NUMBER
AMERICAN (SINGLE CUT-DOWN)	92MM 3.622"	35MM	20MM	80352292
		45MM		80452292
EUROPEAN	92MM 3.622"	35MM	20MM	80352292EC
		45MM		80452292EC

DIMENSIONS ARE FOR REFERENCE ONLY AND ARE IN INCHES UNLESS OTHERWISE NOTED.
 CONTACT OUR ENGINEERING DEPARTMENT WITH SPECIFIC APPLICATION QUESTIONS OR REQUIREMENTS.
 NOT ALL COMBINATIONS LISTED ARE CURRENTLY STOCKED, EXTRA LEAD TIME MAY BE REQUIRED.

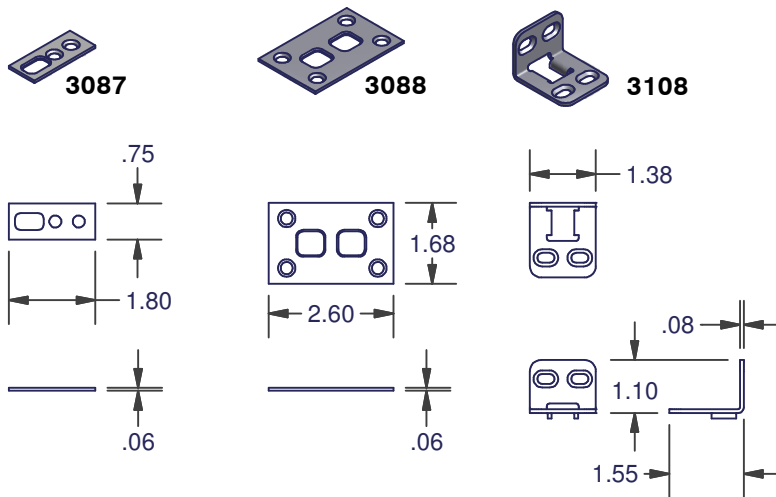
PREMIERE 2000

GEARBOX STRIKES



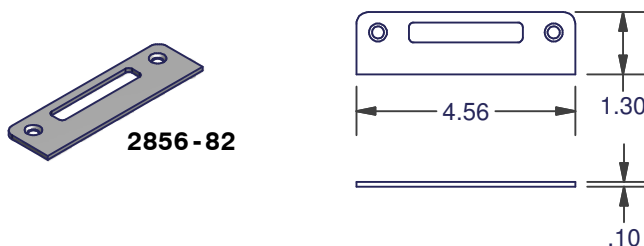
GEARBOX STRIKES			
ITEM #	DESCRIPTION	SUBSTRATE	BOX QTY
2854-82	CENTER STRIKE WITH RADIUS EDGE - BRUSHED STAINLESS STEEL	304 SS	100
2855-82	CENTER STRIKE - BRUSHED STAINLESS STEEL	304 SS	100
3280-82	PASSIVE CENTER STRIKE - BRUSHED STAINLESS STEEL	304 SS	100

SHOOT BOLT STRIKES



SHOOT BOLT STRIKES			
ITEM #	DESCRIPTION	SUBSTRATE	BOX QTY
3087	SINGLE SHOOT BOLT STRIKE - STAINLESS STEEL	304 SS	50
3088	DOUBLE SHOOT BOLT STRIKE - STAINLESS STEEL	304 SS	50
3108-82	CORNER SHOOT BOLT STRIKE - BRUSHED STAINLESS STEEL	304 SS	100

TONGUE OR RHINO HOOK STRIKES



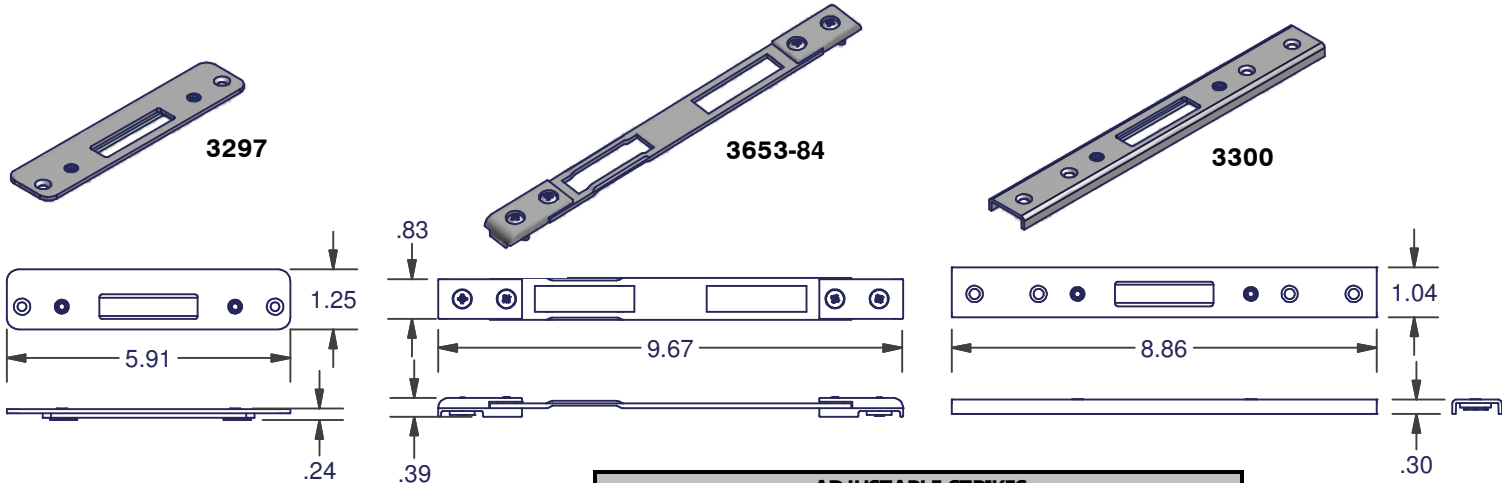
TONGUE OR RHINO HOOK STRIKES			
ITEM #	DESCRIPTION	SUBSTRATE	BOX QTY
2856-82	STRIKE - BRUSHED STAINLESS STEEL	304 SS	50

DIMENSIONS ARE FOR REFERENCE ONLY AND ARE IN INCHES UNLESS OTHERWISE NOTED.
CONTACT OUR ENGINEERING DEPARTMENT WITH SPECIFIC APPLICATION QUESTIONS OR REQUIREMENTS.
NOT ALL COMBINATIONS LISTED ARE CURRENTLY STOCKED, EXTRA LEAD TIME MAY BE REQUIRED.

PREMIERE 2000

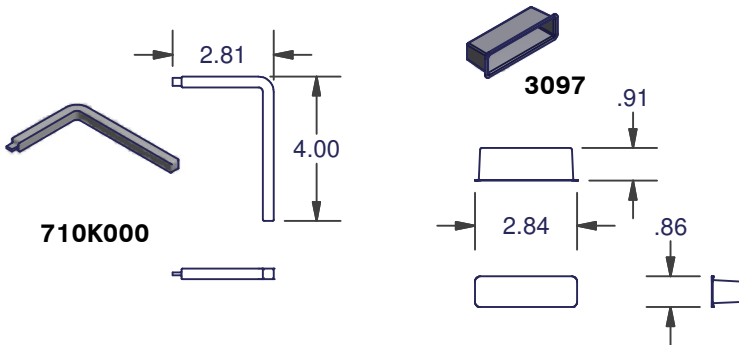
- CAN BE USED WITH RHINO HOOKS OR SHOOT BOLTS.

ADJUSTABLE STRIKES



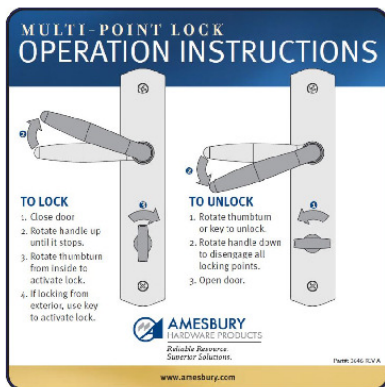
ADJUSTABLE STRIKES			
ITEM #	DESCRIPTION	SUBSTRATE	BOX QTY
3297	ADJUSTABLE STRIKE FLAT	304 SS	100
3300	ADJUSTABLE STRIKE FORMED	304 SS	100
3653-84	ADJUSTABLE STRIKE FORMED	304 SS	100

OTHER ACCESSORIES

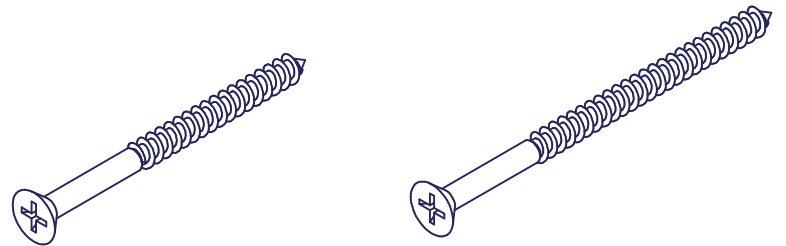


OTHER ACCESSORIES		
ITEM #	DESCRIPTION	BOX QTY
710K000	CONSTRUCTION HANDLE	50
3097	DUST CAP	50

WINDOW CLING & MOUNTING SCREWS



3646



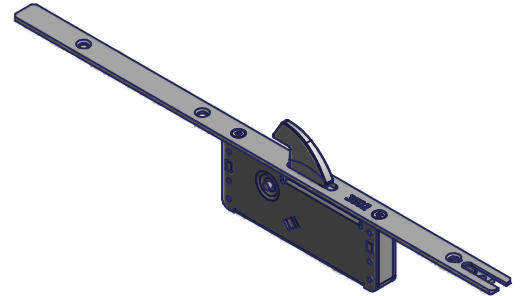
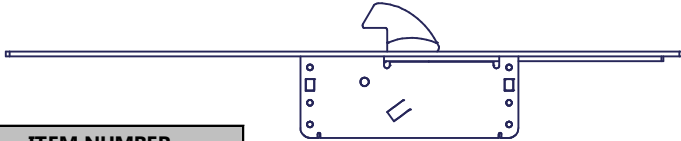
**#8 X 2" WOOD SCREW
3203-84**

**#8 X 2 1/2" WOOD SCREW
3225**

DIMENSIONS ARE FOR REFERENCE ONLY AND ARE IN INCHES UNLESS OTHERWISE NOTED.
CONTACT OUR ENGINEERING DEPARTMENT WITH SPECIFIC APPLICATION QUESTIONS OR REQUIREMENTS.
NOT ALL COMBINATIONS LISTED ARE CURRENTLY STOCKED, EXTRA LEAD TIME MAY BE REQUIRED.

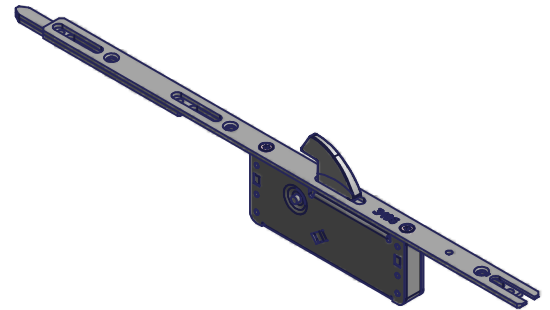
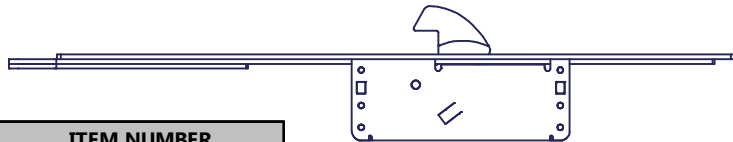
PREMIERE 2000

RHINO HOOK WITHOUT SHOOT TIP



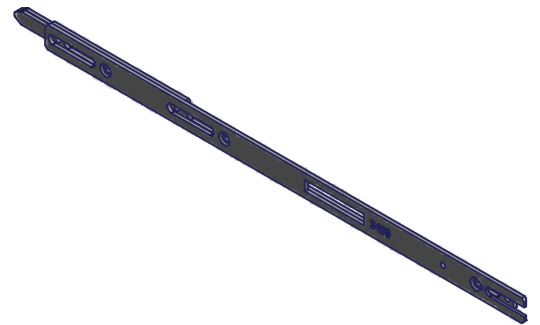
FB	ITEM NUMBER
	ASSEMBLY
16mm	3502-16H
0.63"	
20mm	3503-20H
0.787"	

RHINO HOOK WITH SHOOT TIP



FB	ITEM NUMBER
	ASSEMBLY
16mm	3496-16H
0.63"	
20mm	3497-20H
0.787"	

RHINO EXTENSION PASSIVE



FB	ITEM NUMBER
	ASSEMBLY
16mm	3499-16
0.63"	
20mm	3500-20
0.787"	

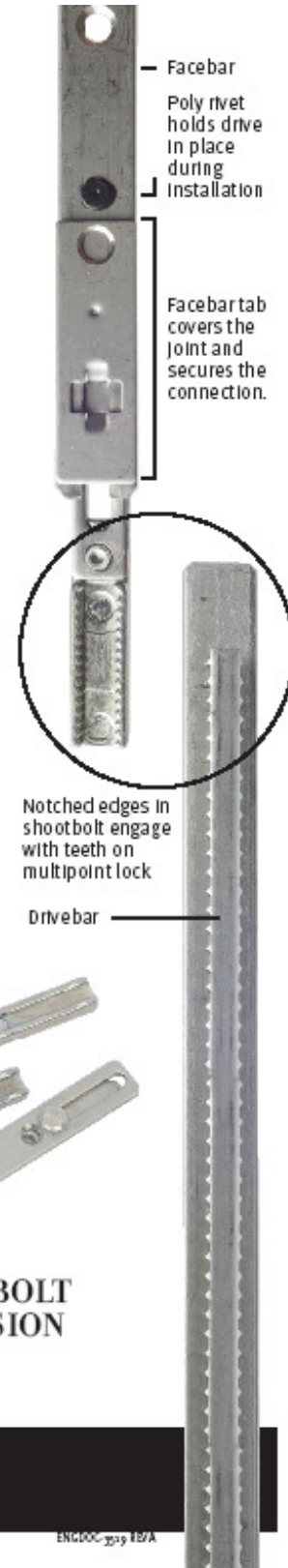
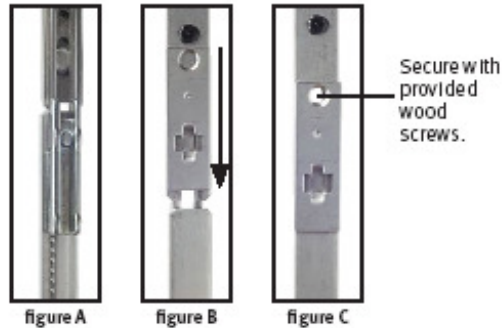
DIMENSIONS ARE FOR REFERENCE ONLY AND ARE IN INCHES UNLESS OTHERWISE NOTED.
 CONTACT OUR ENGINEERING DEPARTMENT WITH SPECIFIC APPLICATION QUESTIONS OR REQUIREMENTS.
 NOT ALL COMBINATIONS LISTED ARE CURRENTLY STOCKED, EXTRA LEAD TIME MAY BE REQUIRED.

PREMIERE 2000

Multipoint Lock Cutdown Procedure for Custom Height Doors

The AMESBURY HARDWARE PRODUCTS multipoint cutdown locks are designed to be customizable to different door heights. To install the multipoint lock and shootbolt extension to the proper height:

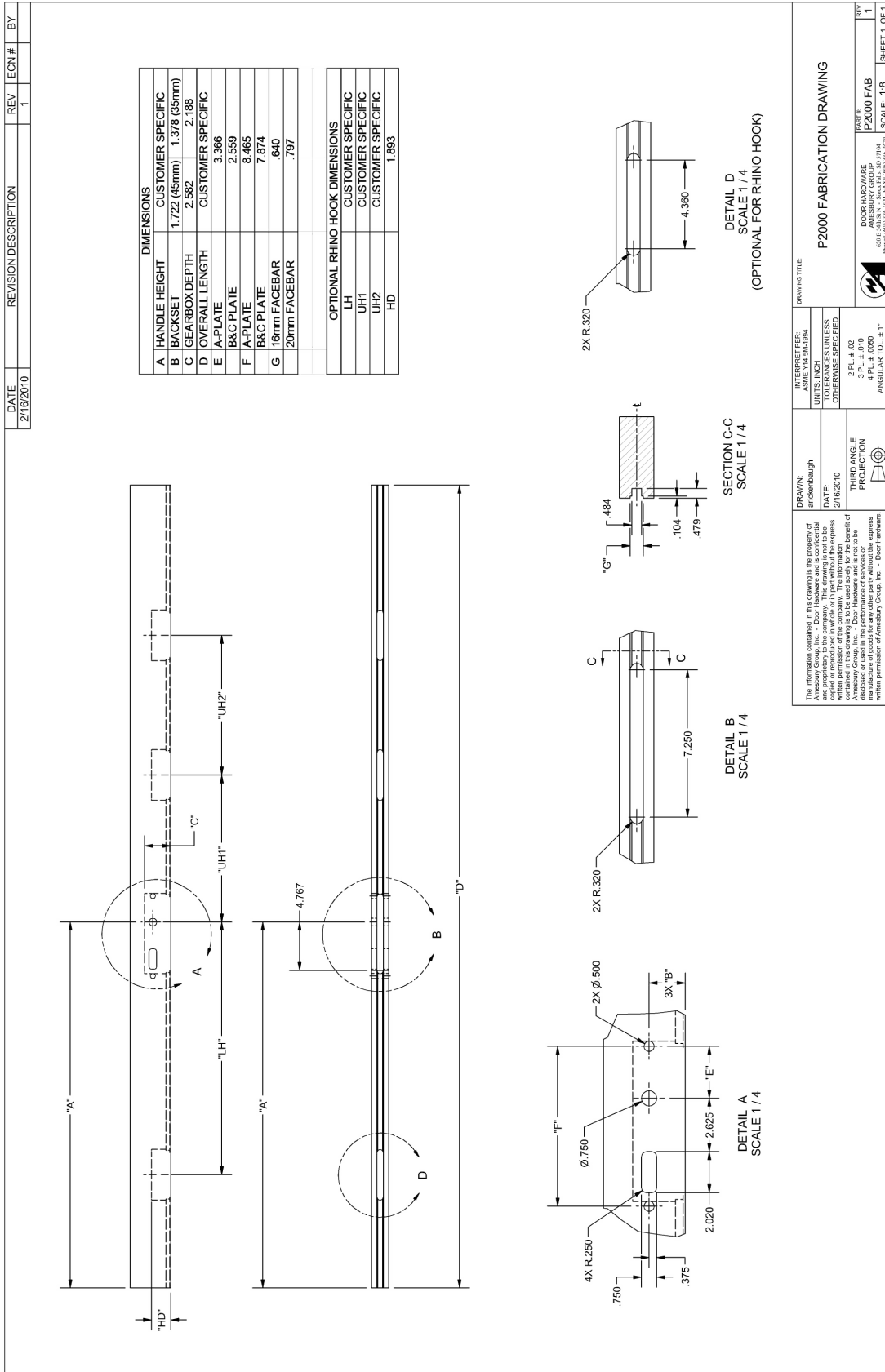
- 1 Place top shootbolt extension in routed groove in door. Secure with screws in top two holes of shootbolt extension.
- 2 Find door data or measure door to determine door height (DH).
- 3 The shootbolt extensions are 9.244" so to determine the length to cut the multipoint lock (LH) simply subtract 9.244" from the door height. $LH = DH - 9.244"$
- 4 SET MULTIPOINT LOCK TO LOCKED POSITION. The lock needs to be in the locked position so there is enough drivebar engagement to reach the shootbolt extension. Cut off the top of the multipoint lock so the lock equals lock height from step 3 (LH).
- 5 Set multipoint lock back into unlocked position.
- 6 Install the multipoint lock onto the door making sure the notched edges in the shootbolt fully engage with the teeth on the multipoint lock. Figure A
- 7 Slide the facebar tab over the connection. Figure B & C Secure with screw in hole that becomes visible in facebar.
- 8 Operate the lock a few times to ensure motion is smooth and the lock functions properly. The poly rivet will shear off with first activation of the lock.



ENC100C-3519 18/1A

PREMIERE 2000

PREMIERE 2000 RHINO HOOK FABRICATION DRAWING



DIMENSIONS ARE FOR REFERENCE ONLY AND ARE IN INCHES UNLESS OTHERWISE NOTED.
 CONTACT OUR ENGINEERING DEPARTMENT WITH SPECIFIC APPLICATION QUESTIONS OR REQUIREMENTS.
 NOT ALL COMBINATIONS LISTED ARE CURRENTLY STOCKED, EXTRA LEAD TIME MAY BE REQUIRED.