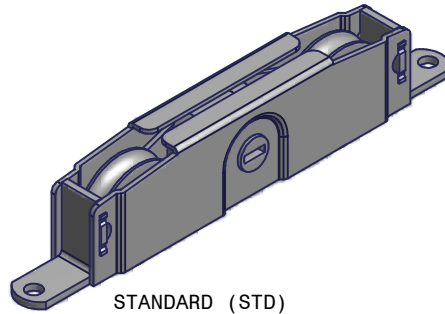


SLIDING DOOR ROLLERS

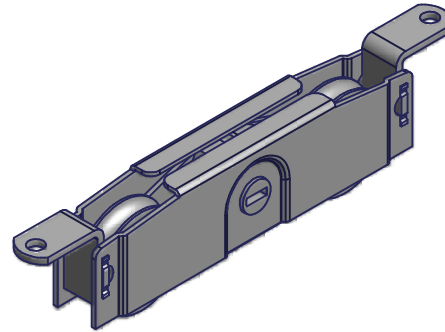
QUOTE REQUEST INFORMATION:

- _____ = DOORS PER YEAR FORECAST
- _____ = HOUSING MATERIAL
- _____ = MOUNTING (STD OR REV)
- _____ = BEARING MATERIAL

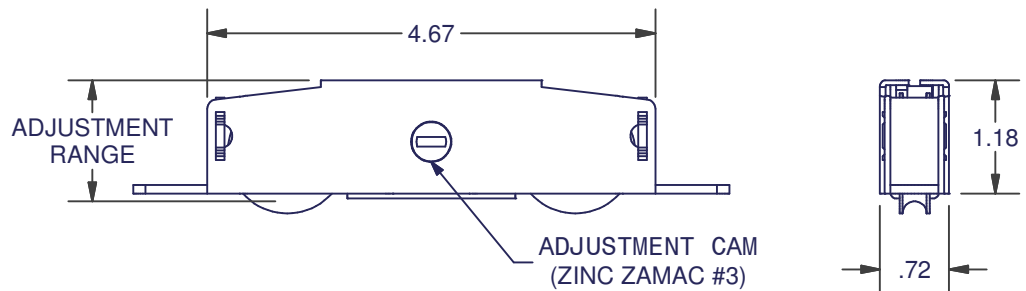
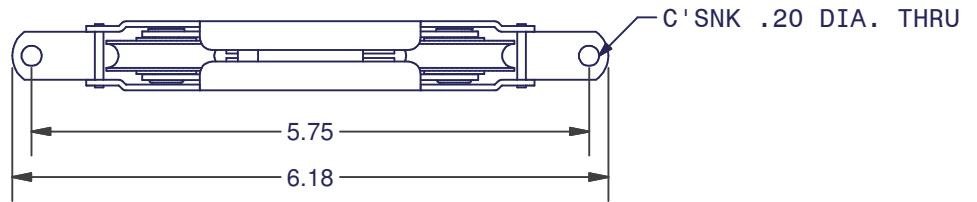
1973 SERIES
SIDE ADJUST TANDEM AXLE
 BOX QTY: 50



STANDARD (STD)



REVERSE (REV)



| MOUNTING OPTIONS | |
|-----------------------|------|
| STANDARD (STD) | 1.09 |
| REVERSE (REV) | |

MOST COMMON: S, STD, S

| HOUSING MATERIAL | MOUNTING OPTIONS | WHEEL DIA. | ADJUSTMENT RANGE | AVAILABLE BEARING MATERIALS |
|------------------|------------------|------------|------------------|-----------------------------|
| S, SS | STD, REV | 1.25 | 1.31-1.56 | PRS, PST, S, SS, TBN |

| LEGEND | | | |
|--------|--|------|--|
| CODE | DESCRIPTION | CODE | DESCRIPTION |
| TBN | NYLON WHEEL W/ STEEL BEARING | S | MILD STEEL W/ YZD PLATING WHEEL & BEARING |
| BNSS | NYLON WHEEL W/ STAINLESS STEEL BEARING | PST | STEEL WHEEL W/ PRECISION BEARING |
| PRN | NYLON WHEEL W/ PRECISION BEARING | SS | STAINLESS STEEL WHEEL & BEARING |
| | | PRS | STAINLESS STEEL WHEEL W/ PRECISION BEARING |

DIMENSIONS ARE FOR REFERENCE ONLY AND ARE IN INCHES UNLESS OTHERWISE NOTED.
 CONTACT OUR ENGINEERING DEPARTMENT WITH SPECIFIC APPLICATION QUESTIONS OR REQUIREMENTS.
 NOT ALL COMBINATIONS LISTED ARE CURRENTLY STOCKED, EXTRA LEAD TIME MAY BE REQUIRED.