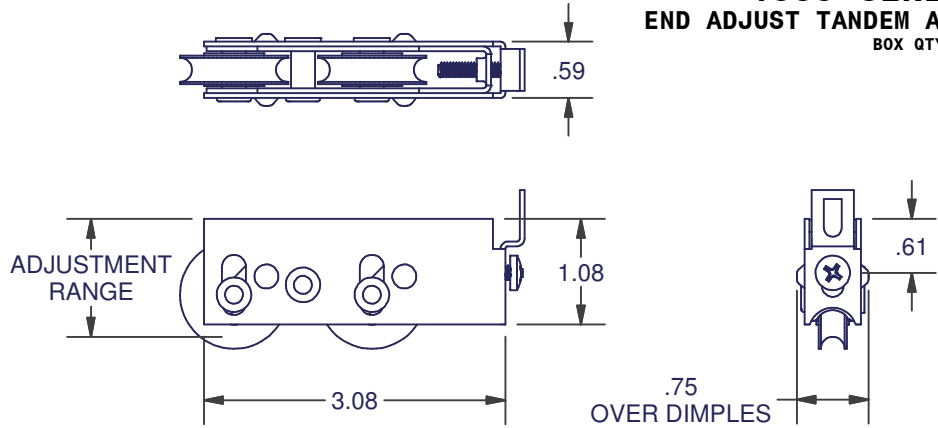
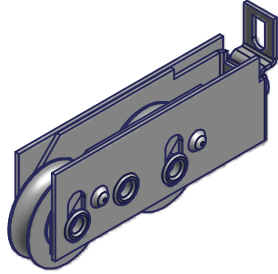


SLIDING DOOR ROLLERS

QUOTE REQUEST INFORMATION:

- _____ = DOORS PER YEAR FORECAST
- _____ = WHEEL DIA.
- _____ = BEARING MATERIAL

1959 SERIES
END ADJUST TANDEM AXLE
 BOX QTY: 50

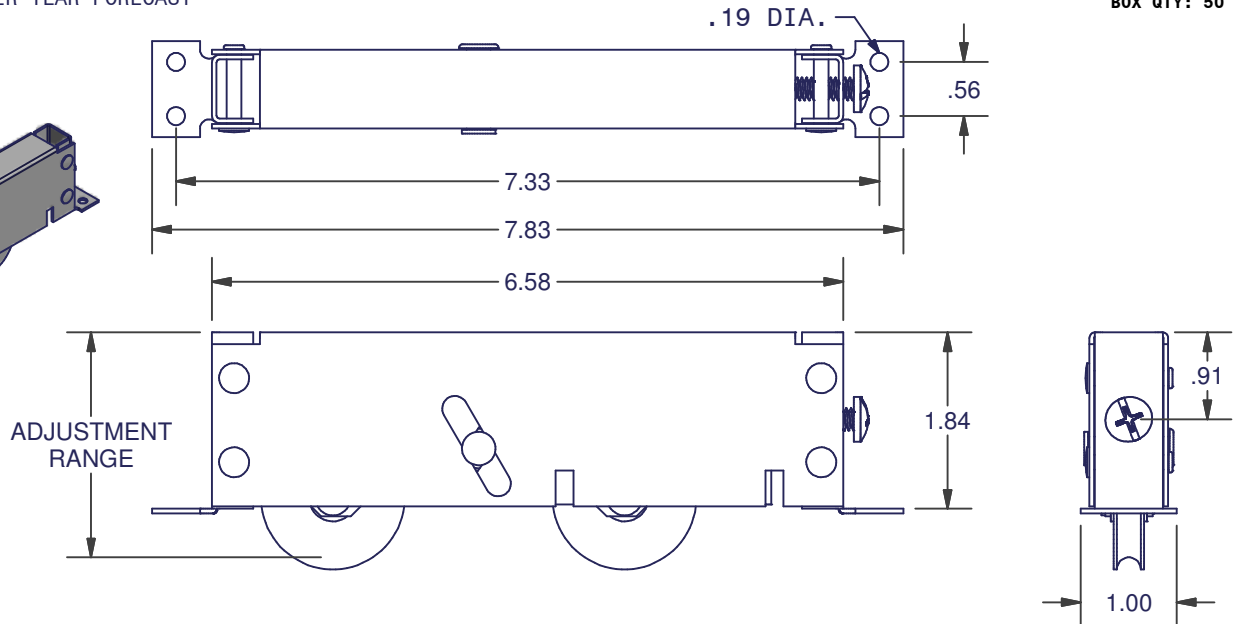
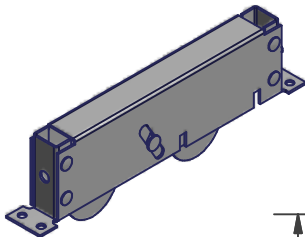


| HOUSING MATERIAL | WHEEL DIA. | ADJUSTMENT RANGE | BEARING MATERIALS |
|------------------|------------|------------------|----------------------|
| S | 1.12 | 0.95-1.32 | S, SS |
| | 1.25 | 1.01-1.38 | PRS, PST, S, SS, TBN |

QUOTE REQUEST INFORMATION:

- _____ = DOORS PER YEAR FORECAST

1964 SERIES
END ADJUST TANDEM AXLE
 BOX QTY: 50



| HOUSING MATERIAL | WHEEL DIA. | ADJUSTMENT RANGE | COMPRESSION SPRING | BEARING MATERIAL |
|------------------|------------|------------------|--------------------|------------------|
| SS | 1.50 | 1.84-2.58 | YES | SS |

| LEGEND | | | |
|--------|--|------|--|
| CODE | DESCRIPTION | CODE | DESCRIPTION |
| TBN | NYLON WHEEL W/ STEEL BEARING | S | MILD STEEL W/ YZD PLATING WHEEL & BEARING |
| BNSS | NYLON WHEEL W/ STAINLESS STEEL BEARING | PST | STEEL WHEEL W/ PRECISION BEARING |
| PRN | NYLON WHEEL W/ PRECISION BEARING | SS | STAINLESS STEEL WHEEL & BEARING |
| | | PRS | STAINLESS STEEL WHEEL W/ PRECISION BEARING |

DIMENSIONS ARE FOR REFERENCE ONLY AND ARE IN INCHES UNLESS OTHERWISE NOTED.
 CONTACT OUR ENGINEERING DEPARTMENT WITH SPECIFIC APPLICATION QUESTIONS OR REQUIREMENTS.
 NOT ALL COMBINATIONS LISTED ARE CURRENTLY STOCKED, EXTRA LEAD TIME MAY BE REQUIRED.