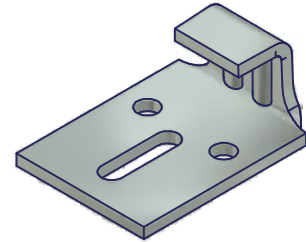
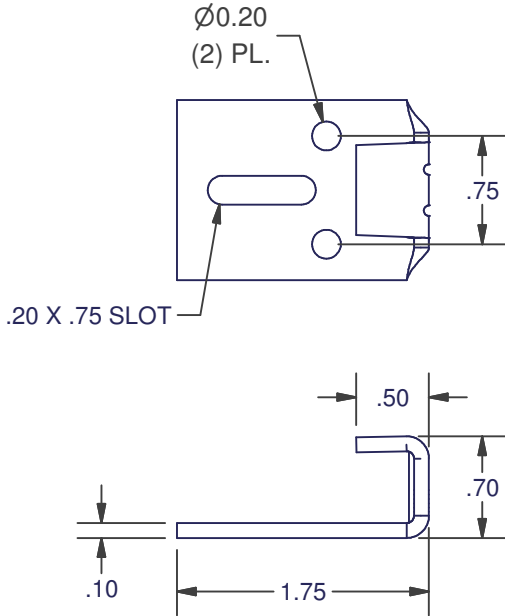


SLIDING DOOR KEEPERS

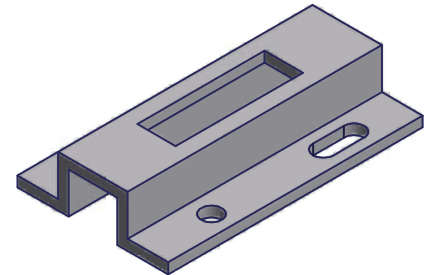
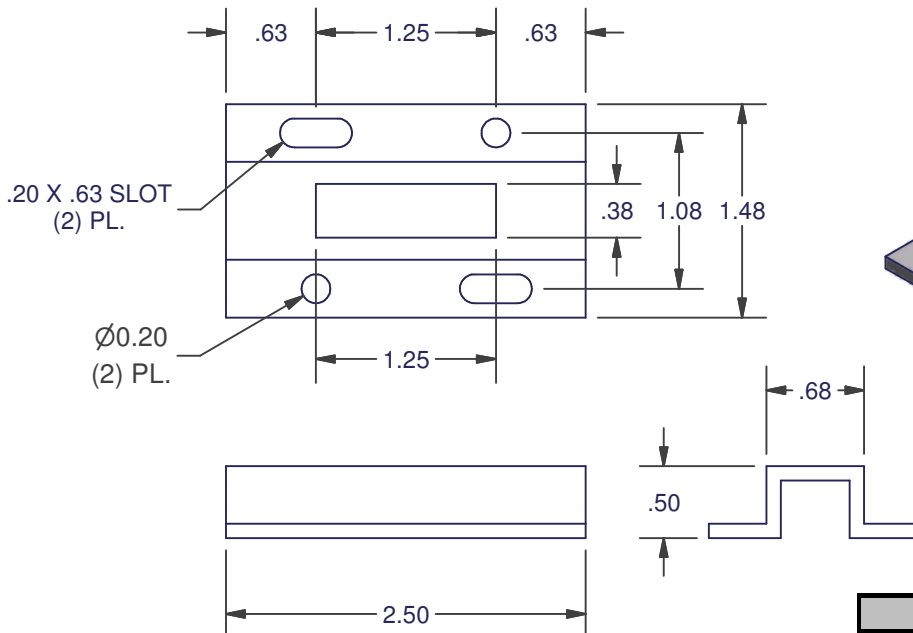
2506 SERIES
SINGLE POINT
 BOX QTY: 50



KEEPER & INSTALLATION SCREWS	
MATERIAL	ITEM #
STEEL	ADH-3023-00
STAINLESS STEEL	ADH-3023-84

KEEPER ONLY	
MATERIAL	ITEM #
STEEL	2506-00
STAINLESS STEEL	2506-84

2533 SERIES
SINGLE POINT
 BOX QTY: 50



KEEPER ONLY		
FINISH	MATERIAL	ITEM #
ALMOND	ALUMINUM	2533-10MA
WHITE	ALUMINUM	2533-10MW
STANDARD WHITE	ALUMINUM	2533-10SW

DIMENSIONS ARE FOR REFERENCE ONLY AND ARE IN INCHES UNLESS OTHERWISE NOTED.
 CONTACT OUR ENGINEERING DEPARTMENT WITH SPECIFIC APPLICATION QUESTIONS OR REQUIREMENTS.
 NOT ALL COMBINATIONS LISTED ARE CURRENTLY STOCKED, EXTRA LEAD TIME MAY BE REQUIRED.