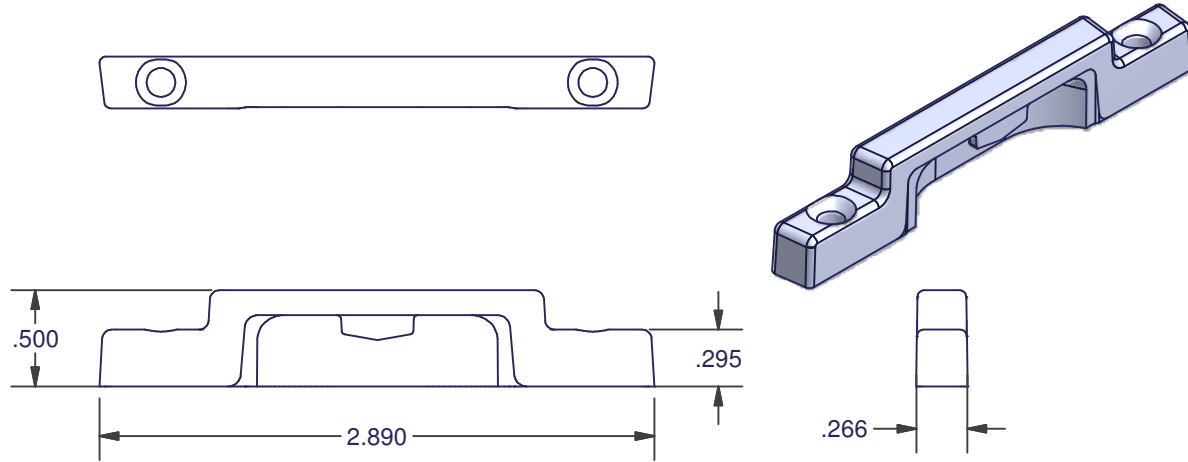


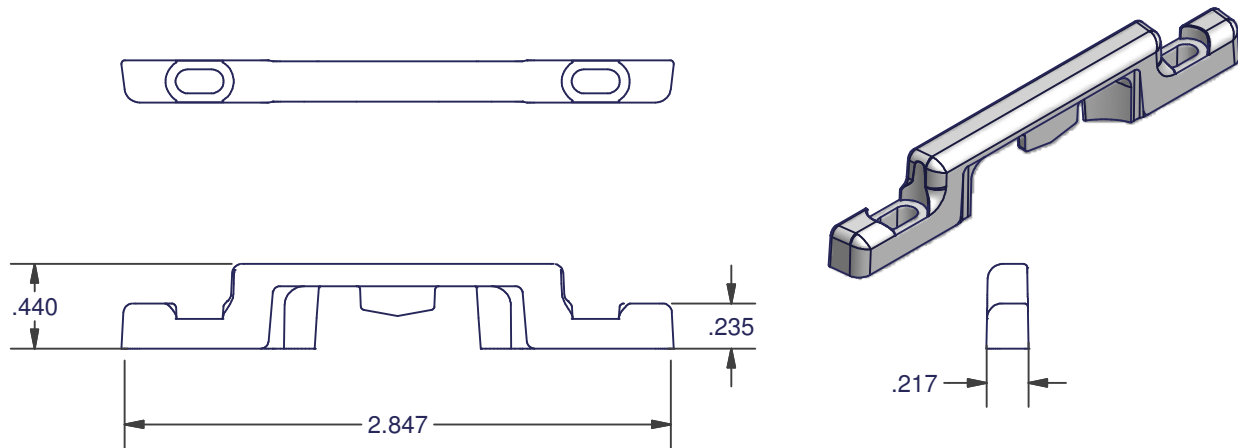
SASH LOCKS & KEEPERS

13068 KEEPER



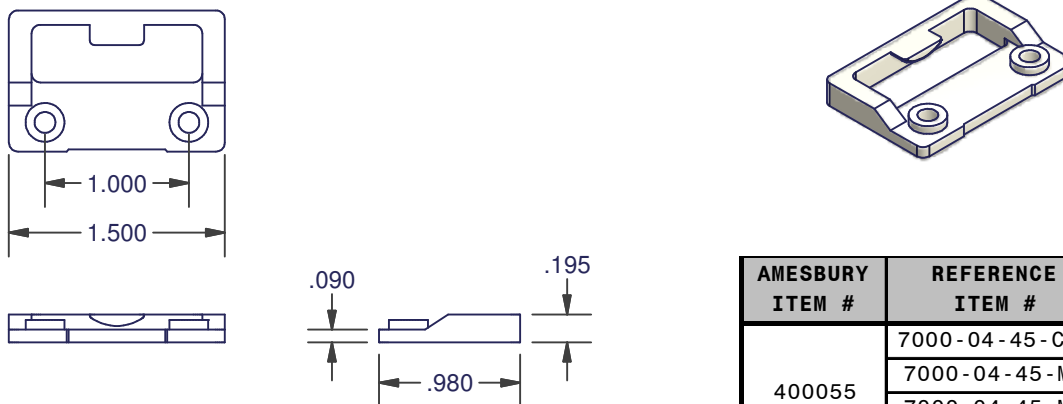
NOTE: ALL COMPOSITE

12903 KEEPER



NOTE: ALL COMPOSITE

7000-04-45



MATERIAL: ZINC

AMESBURY ITEM #	REFERENCE ITEM #	COLOR
400055	7000-04-45-CLA	ALMOND CLAY
	7000-04-45-MA	MA ALMOND
	7000-04-45-MW	MW WHITE
	7000-04-45-SW	STANDARD WHITE

DIMENSIONS ARE FOR REFERENCE ONLY AND ARE IN INCHES UNLESS OTHERWISE NOTED.
 CONTACT OUR ENGINEERING DEPARTMENT WITH SPECIFIC APPLICATION QUESTIONS OR REQUIREMENTS.
 NOT ALL COMBINATIONS LISTED ARE CURRENTLY STOCKED, EXTRA LEAD TIME MAY BE REQUIRED.