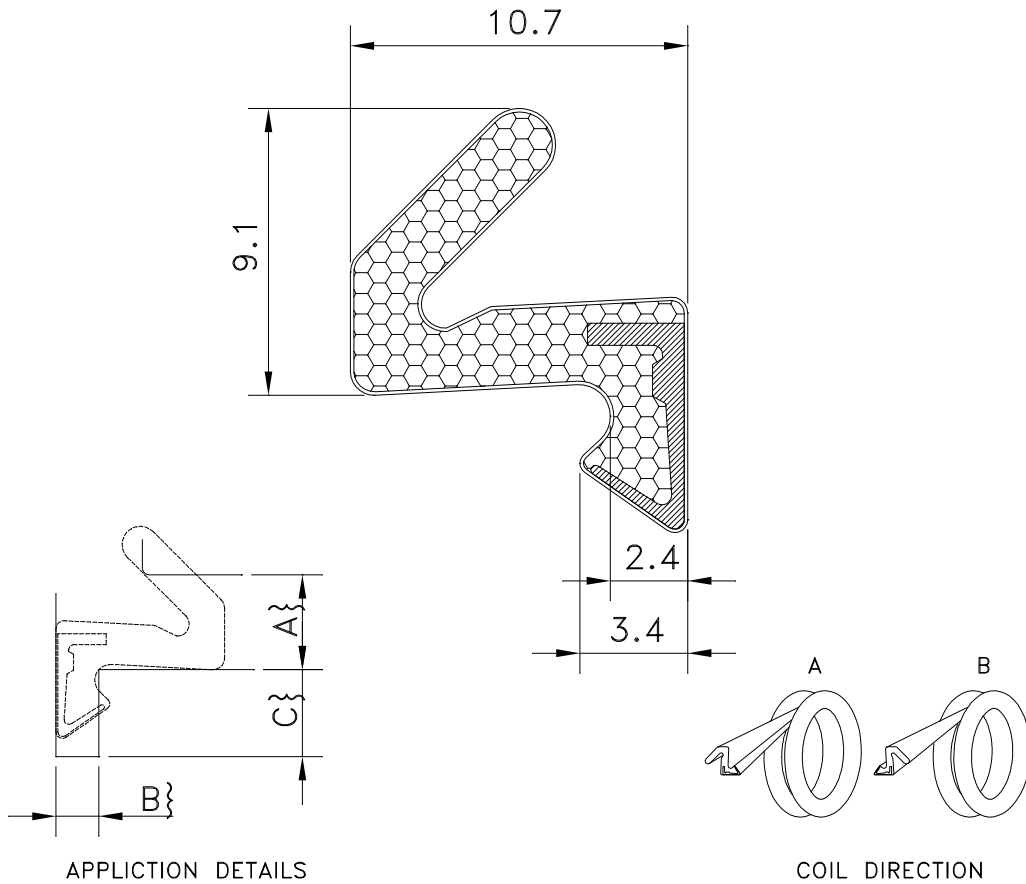




SCHLEGEL

Henlow Industrial Estate,
 Henlow Camp,
 Bedfordshire,
 SG16 6DS
 Tel: +44 (0) 1462 815500
 Fax: +44 (0) 1462 638800
 E-mail: schlegeluk@schlegel.eu.com

AQUAMAC* 21



TECHNICAL SPECIFICATION

- A, SEAL GAP. 5.0mm MIN TO 7.5mm MAX
- B, KERF SLOT WIDTH. 2.7mm NOMINAL
- C, MINIMUM KERF SLOT DEPTH 5.5mm

| PART NUMBER | COLOUR | METRES/COIL | COIL DIRECTION | APPLICATION |
|-------------|-----------|-------------|----------------|-------------|
| 02221250 | WHITE | 250 | A | WEATHERSEAL |
| 02221252 | BLACK | 250 | A | WEATHERSEAL |
| 02221254 | LIGHT OAK | 250 | A | WEATHERSEAL |
| 02221300 | BRONZE | 250 | A | WEATHERSEAL |
| | | | | |

60254-08



BS7386 : 1990
 Licence NO. KM
 30928

Schlegel UK (2006) Ltd, Registration Number 5686601
 Registration Office: Crusader House, 145-157 St. John
 Street, London, EC1V 4RU.



Certification No.
 FM 15052