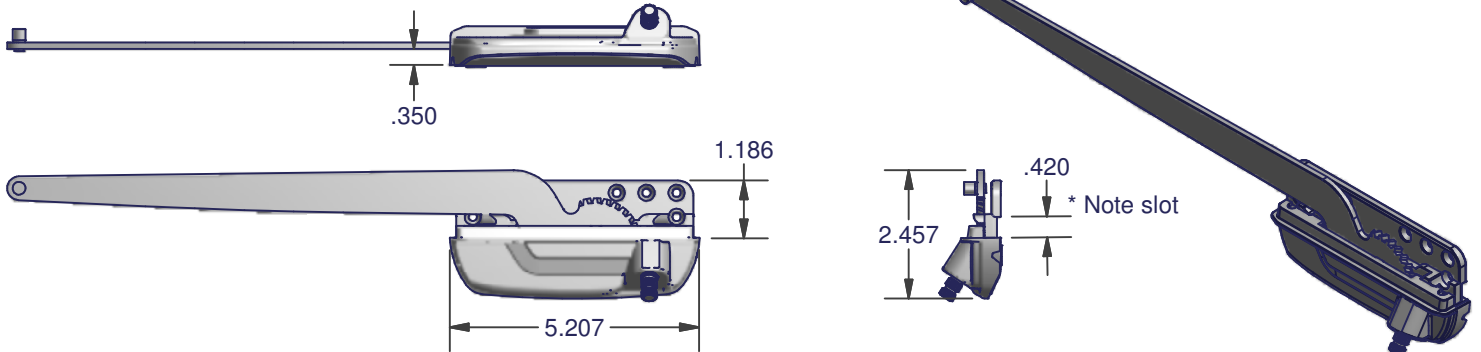


# CASEMENT OPERATORS

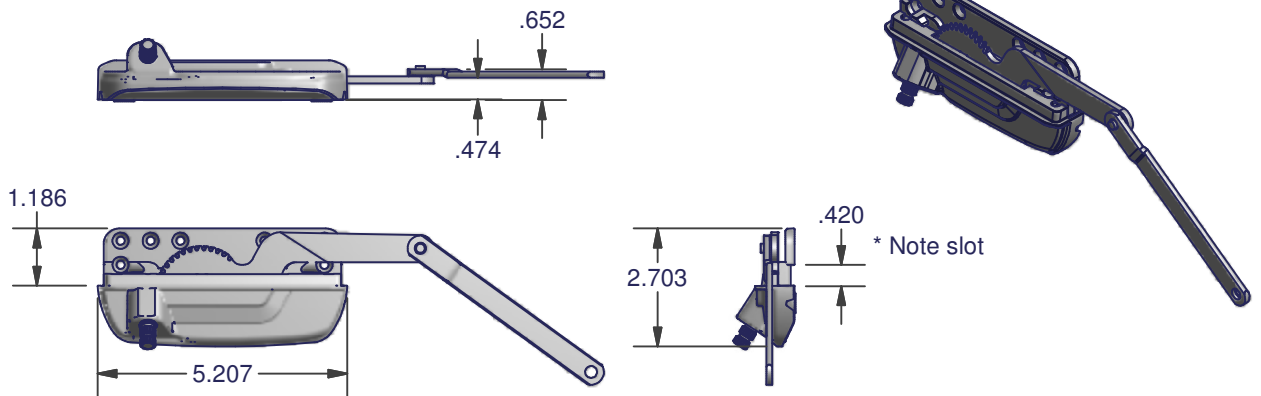
## STRAIGHT ARM OPERATOR



LEFT HAND SHOWN  
 01-000-1-01-000 STAND SLOT  
 01-009-1-01-000 15 MM SLOT

RIGHT HAND MIRROR IMAGE  
 01-000-2-01-000 STAND SLOT  
 01-009-2-01-000 15 MM SLOT

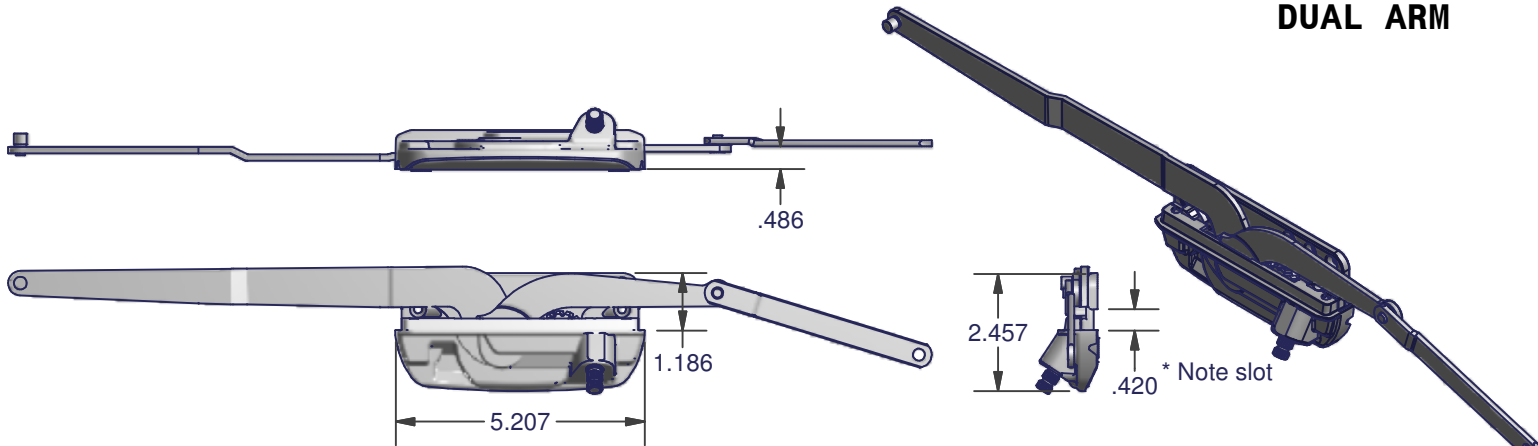
## DYAD OPERATOR



LEFT HAND SHOWN  
 03-000-1-01-000 STAND SLOT  
 03-009-1-01-000 15 MM SLOT

RIGHT HAND MIRROR IMAGE  
 03-000-2-01-000 STAND SLOT  
 03-009-2-01-000 15 MM SLOT

## DUAL ARM



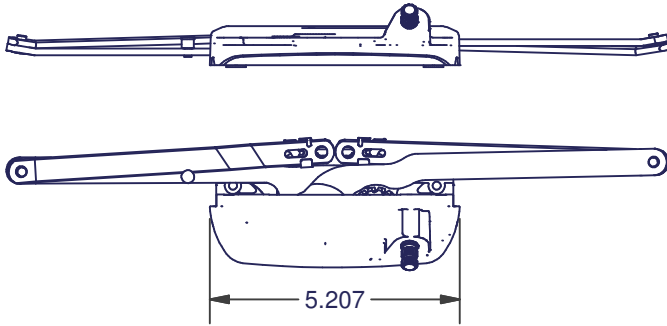
LEFT HAND SHOWN  
 05-000-1-01-000 STAND SLOT  
 05-009-1-01-000 15 MM SLOT

RIGHT HAND MIRROR IMAGE  
 05-000-2-01-000 STAND SLOT  
 05-009-2-01-000 15 MM SLOT

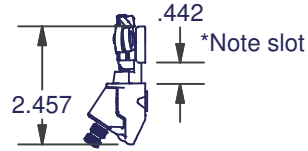
DIMENSIONS ARE FOR REFERENCE ONLY AND ARE IN INCHES UNLESS OTHERWISE NOTED.  
 CONTACT OUR ENGINEERING DEPARTMENT WITH SPECIFIC APPLICATION QUESTIONS OR REQUIREMENTS.  
 NOT ALL COMBINATIONS LISTED ARE CURRENTLY STOCKED, EXTRA LEAD TIME MAY BE REQUIRED.

# CASEMENT OPERATORS

## AWNING OPERATOR



NON HANDED AWNING  
07-0000-0-01-000



NON HANDED AWNING 15 MM SLOT  
07-009-0-01-000

