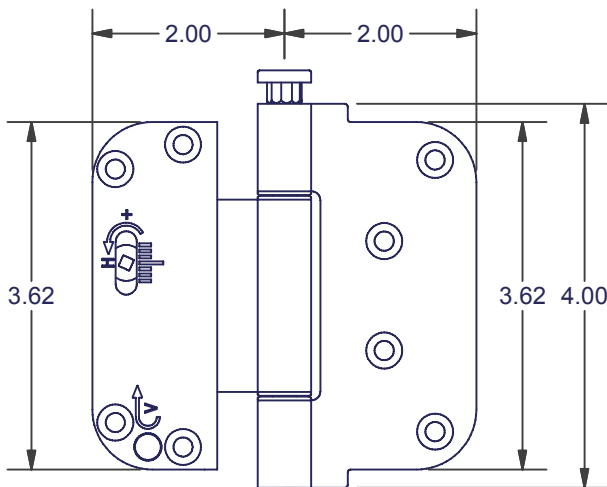
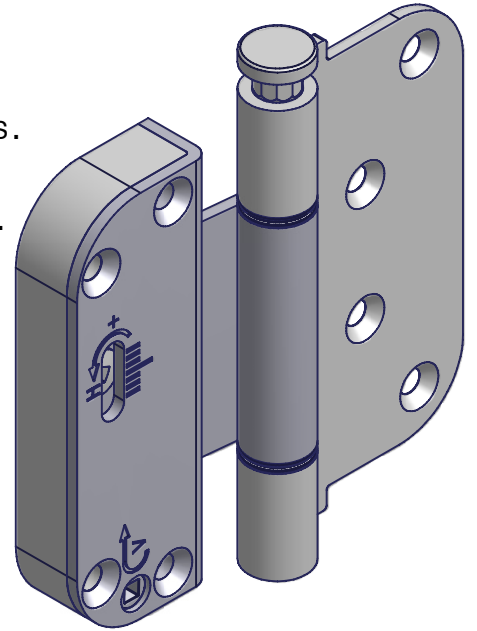


HINGES

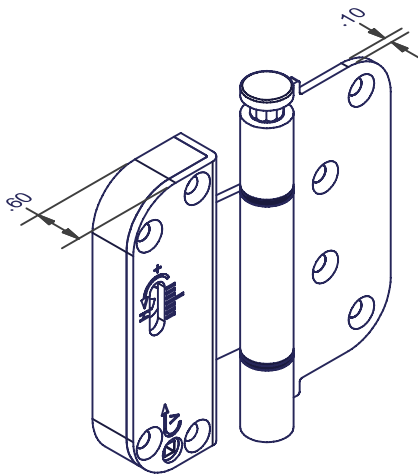
FEATURES AND BENEFITS

- NON-HANDED DESIGN REDUCES INVENTORY.
- BOTH VERTICALLY AND HORIZONTALLY ADJUSTABLE.
HORIZONTAL ADJUSTMENT $\pm .156"$.
VERTICAL ADJUSTMENT $\pm .200"$.
- VERTICAL ADJUSTMENT IN EACH HINGE ALLOWS FOR HEAVIER PANELS.
- ADJUSTS WITH STANDARD #2 SQUARE DRIVE.
SQUARE DRIVE PREVENTS STRIPPING OVER PHILLIPS OR SLOTTED.
- SECURE OUT-SWING NON-REMOVABLE PIN HINGES AVAILABLE.
- FITS COMMON FABRICATION WITHIN THE INDUSTRY.

HG250
AJUSTABLE HINGE
BOX QTY: 30



* OTHER FINISHES MAY BE AVAILABLE



| PIN | ITEM # | FINISH | SUBSTRATE |
|----------------|-----------------|--------------------|-----------------|
| REMOVEABLE | HG250-S-19 | SATIN WHITE | STEEL |
| | HG250-S-74 | DARK ORB | STEEL |
| | HG250-S-75 | BRASS | STEEL |
| | HG250-S-77 | BRUSHED CHROME | STEEL |
| | HG250-S-80 | ANTIQUE BRASS | STEEL |
| | HG250-S-83 | CHROME | STEEL |
| | HG250-S-95 | SATIN NICKEL | STEEL |
| | HG250-B-68 | BRUSHED CHROME PVD | BRASS |
| | HG250-B-88 | CHROME PVD | BRASS |
| | HG250-B-90 | SATIN NICKEL PVD | BRASS |
| | HG250-B-91 | SOLID BRASS PVD | BRASS |
| | HG250-SS-82 | BRUSHED SS | STAINLESS STEEL |
| NON-REMOVEABLE | HG250-S-NRP-19 | SATIN WHITE | STEEL |
| | HG250-B-NRP-68 | BRUSHED CHROME PVD | BRASS |
| | HG250-B-NRP-88 | CHROME PVD | BRASS |
| | HG250-B-NRP-90 | SATIN NICKEL PVD | BRASS |
| | HG250-B-NRP-91 | SOLID BRASS PVD | BRASS |
| | HG250-SS-NRP-82 | BRUSHED SS | STAINLESS STEEL |

DIMENSIONS ARE FOR REFERENCE ONLY AND ARE IN INCHES UNLESS OTHERWISE NOTED.
CONTACT OUR ENGINEERING DEPARTMENT WITH SPECIFIC APPLICATION QUESTIONS OR REQUIREMENTS.
NOT ALL COMBINATIONS LISTED ARE CURRENTLY STOCKED, EXTRA LEAD TIME MAY BE REQUIRED.