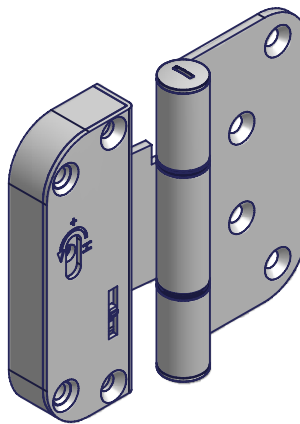
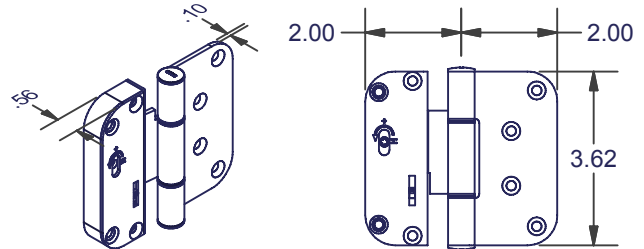


# HINGES

## FEATURES AND BENEFITS

**HG100**  
**SNAP-IN HINGE**  
 BOX QTY: 30

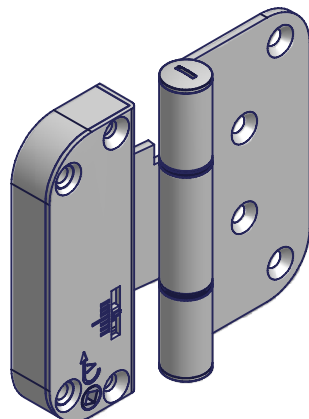
- HORIZONTAL HINGES ADJUST  $\pm .125"$ .
- VERTICAL HINGES ADJUST  $\pm .156"$ .
- SECURE OUT-SWING NON-REMOVABLE PIN HINGES AVAILABLE.
- EASY INSTALLATION WITH SNAP FEATURE. NO NEED TO DRIVE HINGE PINS.



HORIZONTAL HINGE		
PIN	ITEM #	FINISH
REMOVEABLE	HG100H-01	WET WHITE
	HG100H-02	BLACK
	HG100H-06	VISION TAN
	HG100H-77	BRUSHED CHROME
	HG100H-79	ANTIQUÉ SILVER
	HG100H-80	ANTIQUÉ BRASS
	HG100H-93	BRASS PVD
	HG100H-94	CHROME PVD
	HG100H-95	SATIN NICKEL PVD
NON-REMOVEABLE	HG100H-96	ORB
	HG100HO-01	WET WHITE
	HG100HO-02	BLACK
	HG100HO-06	VISION TAN
	HG100HO-77	BRUSHED CHROME
	HG100HO-79	ANTIQUÉ SILVER
	HG100HO-80	ANTIQUÉ BRASS
	HG100HO-93	BRASS PVD
HG100HO-94	CHROME PVD	
HG100HO-95	SATIN NICKEL PVD	
HG100HO-96	ORB	

VERTICAL HINGE		
PIN	ITEM #	FINISH
REMOVEABLE	HG100V-01	WET WHITE
	HG100V-02	BLACK
	HG100V-06	VISION TAN
	HG100V-77	BRUSHED CHROME
	HG100V-79	ANTIQUÉ SILVER
	HG100V-80	ANTIQUÉ BRASS
	HG100V-93	BRASS PVD
	HG100V-94	CHROME PVD
	HG100V-95	SATIN NICKEL PVD
NON-REMOVEABLE	HG100V-96	ORB
	HG100VO-01	WET WHITE
	HG100VO-02	BLACK
	HG100VO-06	VISION TAN
	HG100VO-77	BRUSHED CHROME
	HG100VO-79	ANTIQUÉ SILVER
	HG100VO-80	ANTIQUÉ BRASS
	HG100VO-93	BRASS PVD
HG100VO-94	CHROME PVD	
HG100VO-95	SATIN NICKEL PVD	
HG100VO-96	ORB	

\* OTHER FINISHES MAY BE AVAILABLE



### APPLICATION TIP:

A STANDARD 3 HINGE DOOR REQUIRES  
 (2) HORIZONTAL  
 (1) VERTICAL

DIMENSIONS ARE FOR REFERENCE ONLY AND ARE IN INCHES UNLESS OTHERWISE NOTED.  
 CONTACT OUR ENGINEERING DEPARTMENT WITH SPECIFIC APPLICATION QUESTIONS OR REQUIREMENTS.  
 NOT ALL COMBINATIONS LISTED ARE CURRENTLY STOCKED, EXTRA LEAD TIME MAY BE REQUIRED.